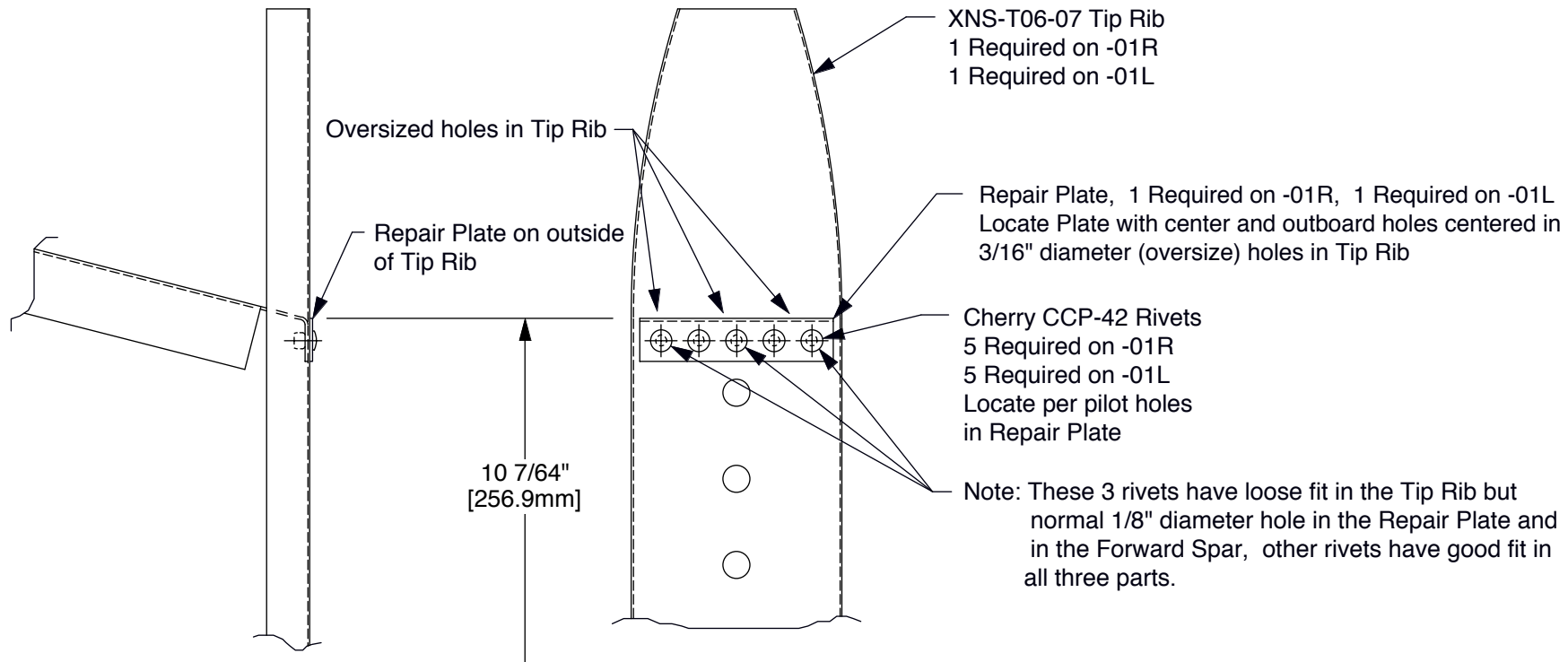


Repair Plate - .032" Thick 6061-T6 Aluminum



Reference XNS-T05 Stabilator Substructure
Scale: 1/2

This Sketch provides the information necessary to use the XNS-T06-07 Tip Ribs which were manufactured with 3/16" diameter holes in lieu of 3/32" diameter holes