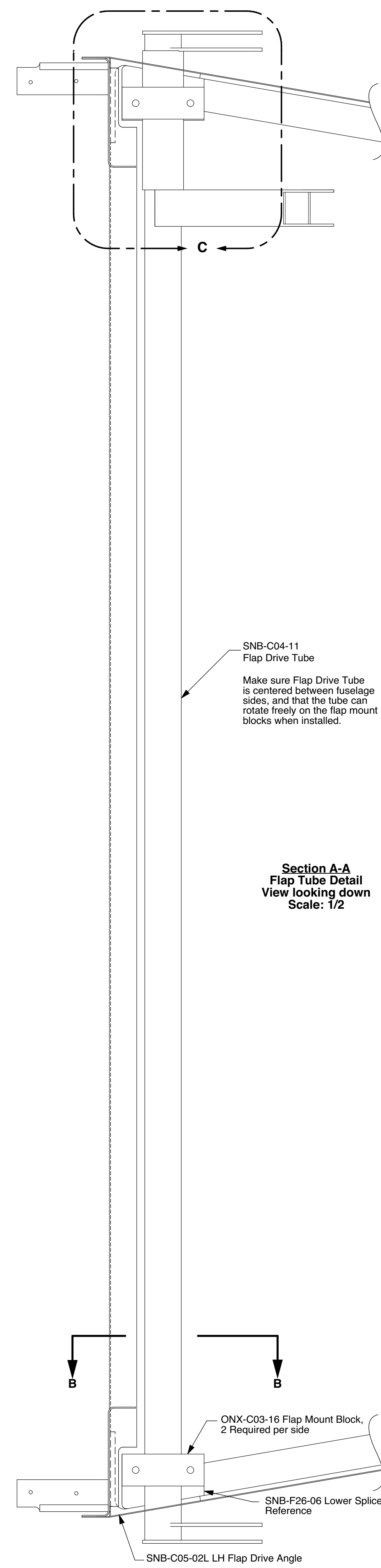
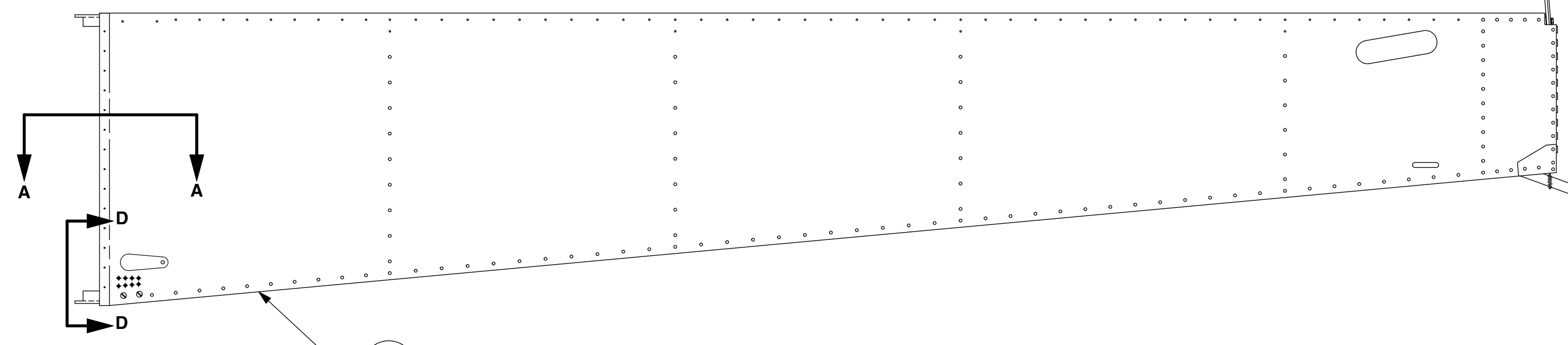


The information disclosed herein is the property of the originator who reserves all patent, design, proprietary, manufacturing, use and sales rights thereto, except for the rights expressly granted to others. This document shall not be reproduced nor shall the information contained within be used by or disclosed to others except as expressly authorized by the originator. ©

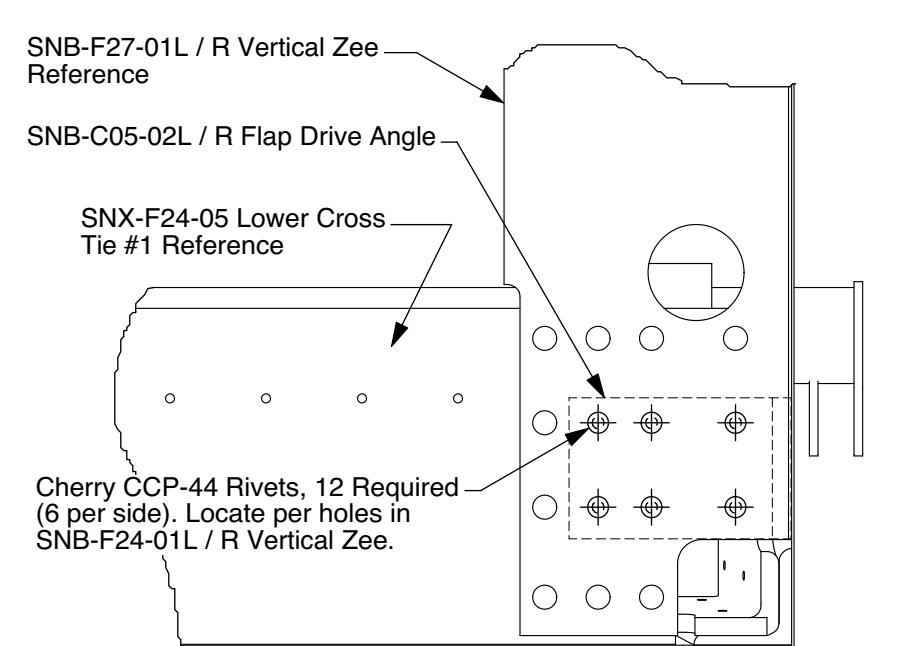
Revision Letter	Change Description	Revision Date
A	Added SNB-C05-10 Electric Flap Actuator	05.18.2017
B	Changed SNB-C05-10 Electric Flap Actuator to SNB-C05-11 Flap Actuator in all kits shipped beginning in 2022. Changed SNB-C04-09 Flap Drive Tube to SNB-C04-11 Flap Drive Tube in all kits using SNB-C05-11 Flap Actuator. NOTE: SNB-C05-10 Flap Actuators equipped with a potentiometer (10-13/16" retracted length, hole-to-hole) MUST be replaced by SNB-C05-11 Flap Actuator, SNB-C04-11 Flap Drive Tube and SNB-F18-04L&R Flap Actuator Mounts to avoid contact of RH Waix-B rudder cable with flap actuator.	12.19.2022



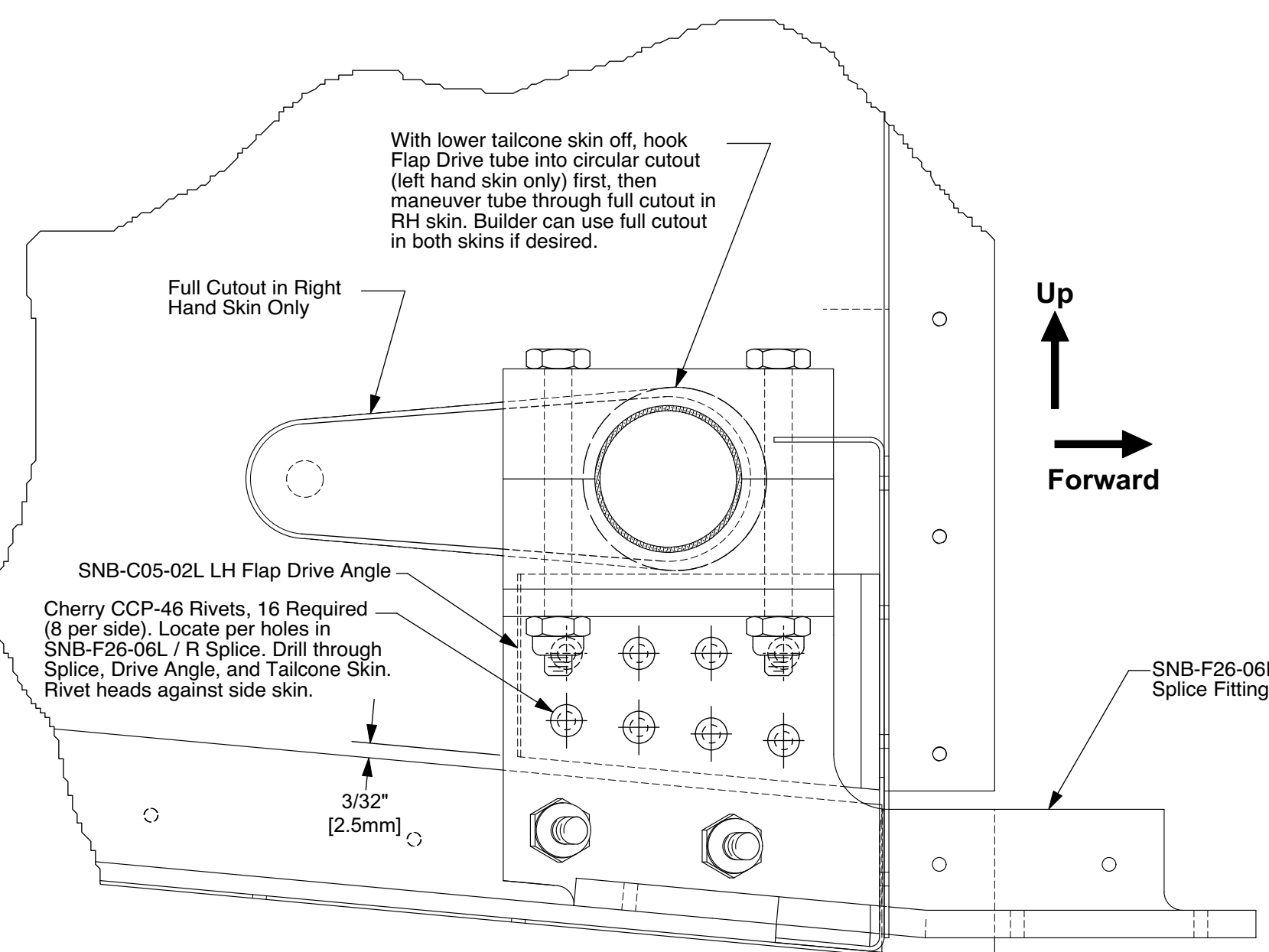
Section A-A
Flap Tube Detail
View looking down
Scale: 1/2



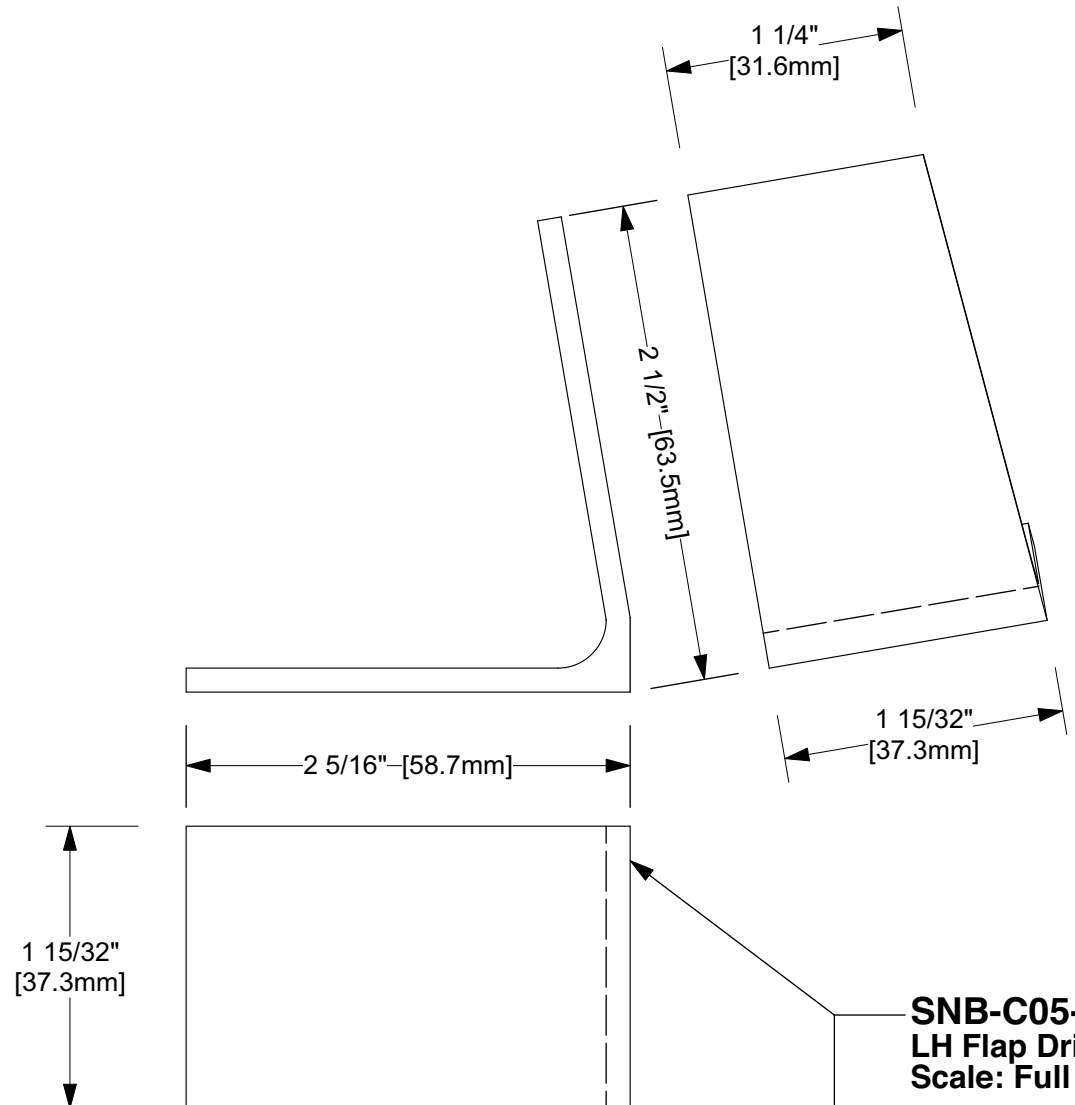
-01 Flap Tube Installation
Scale: 1/8



View D-D
Typical Right and Left Sides
Scale: 1/2

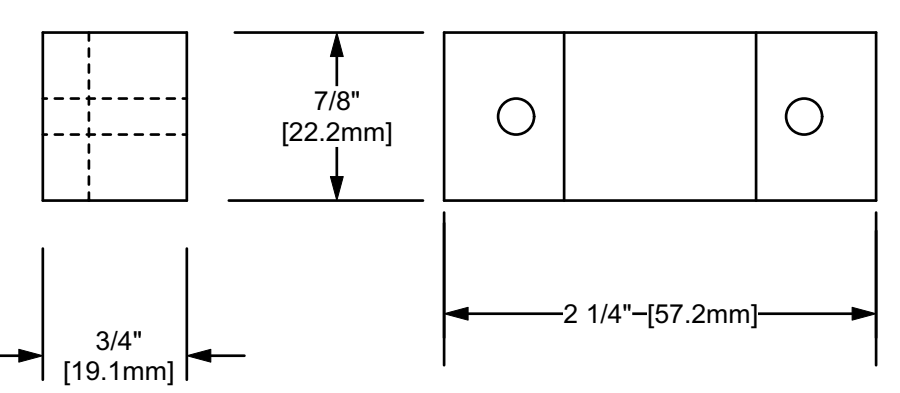


Section B-B
Typical Right and Left Sides
(Left Side Shown)
Scale: Full

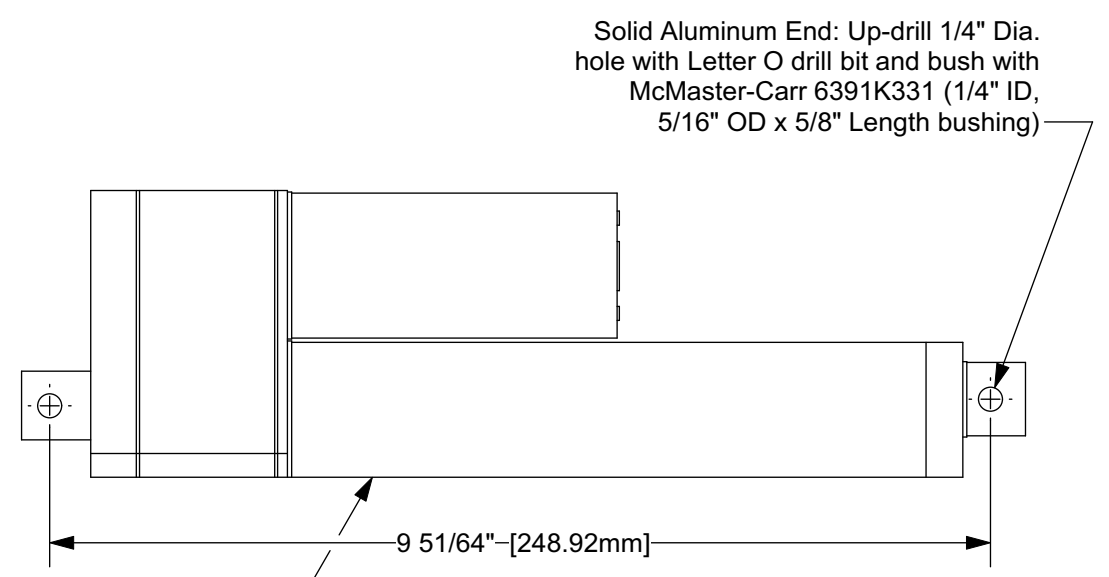


SNB-C05-02L
LH Flap Drive Angle (Shown)
Scale: Full

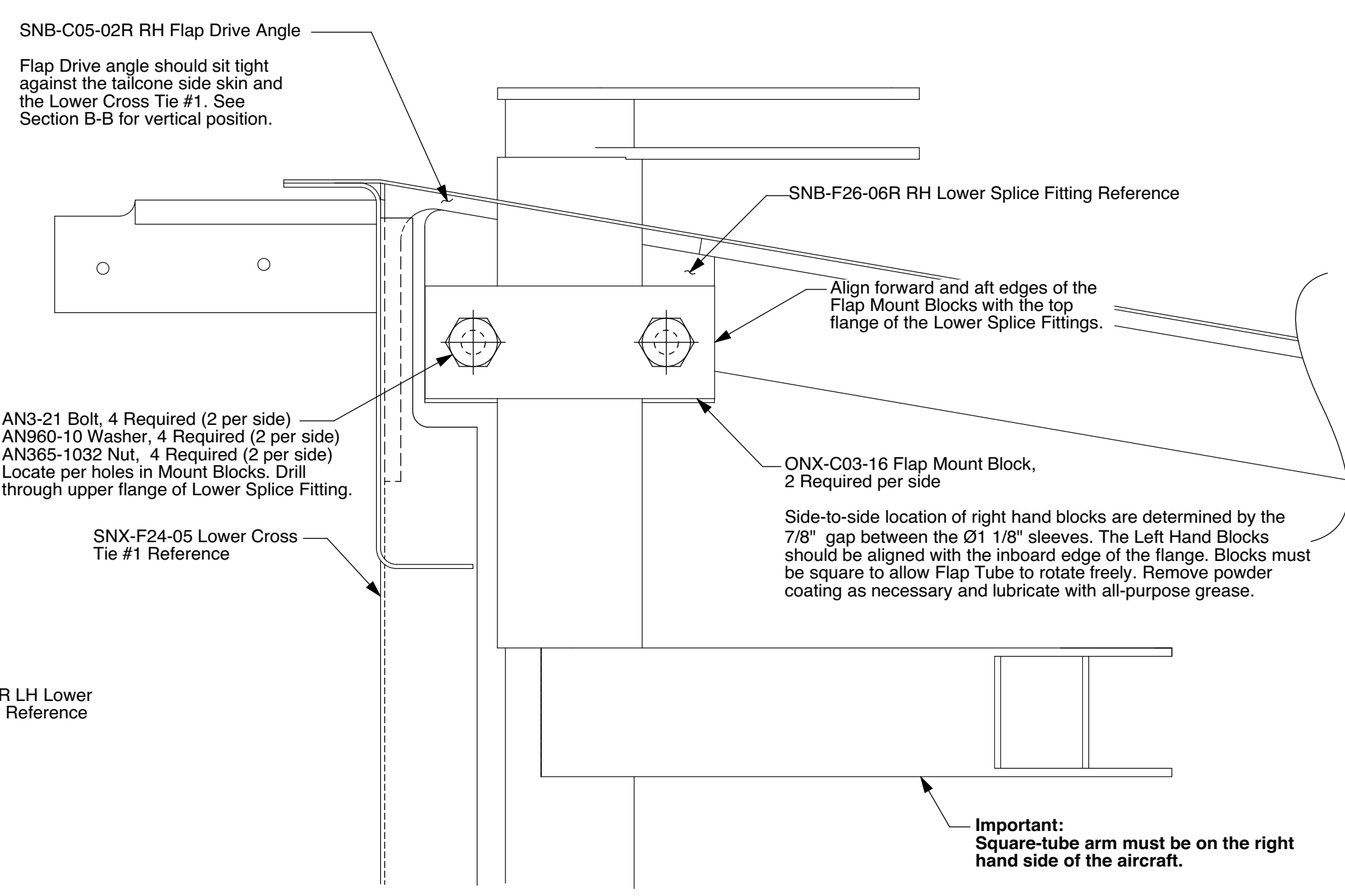
SNB-C05-02R
RH Flap Drive Angle (Opposite -02L)
Scale: Full



ONX-C03-16
Flap Mount Block
Scale: Full
Note: Made from Black Delrin,
Qty 4 Req'd



SNB-C05-11
Electric Flap Actuator
Scale: 1/2



Detail C
Right Side Flap Tube Mount Detail
Scale: Full

- Note: General Construction Order**
- 1) Remove lower tailcone skin.
 - 2) Install SNB-C05-02L / R Flap Drive angles as shown in Section B-B and View D-D. Drill and cleco.
 - 3) Mark center of Flap Tube and center of Lower Cross Tie #1.
 - 4) Remove powder coating as necessary to achieve proper fit between Flap Tube and Mount Blocks (test fit prior to installing in aircraft). Flap Tube should be snug but still free to rotate.
 - 5) Hook left hand side end plates through the circular cutout in the left hand tailcone side skin. The left hand side of the Flap Tube is the side *without* the square tube arm.
 - 6) Maneuver the right hand tube end plates through the cutout in the right hand tailcone side skin. This cutout is the same shape and slightly larger than the end plates. If desired, the builder may enlarge the cutout in the left hand skin to match the right hand skin cutout.
 - 7) Install Mount Blocks around Flap Tube as shown in Section A-A and Detail C. The right hand mount block fits around the 1" diameter flap tube in the gap between the larger diameter sleeves. The left hand block should be aligned with the edges of the lower splice fitting flange.
 - 8) Ensure installed Flap Drive Angles do not interfere with the rotation of the Flap Tube. File Flap Drive Angles if necessary. Rivet Angles.
 - 9) Install bolts through Mount Blocks and Splice Fittings as shown in Section B-B and Detail C.

Part / Ass'y Number	Qty. Req'd	Part Title	Next Assembly
SNB-C05-11	1	Electric Flap Actuator	WXB-C01
WXB-C05-01	1	Flap Tube Installation	WXB-F18

waix-B
Flap System Details

Drawing Scale	Drawing Number	Revision
1/8 & Noted	WXB-C05	B