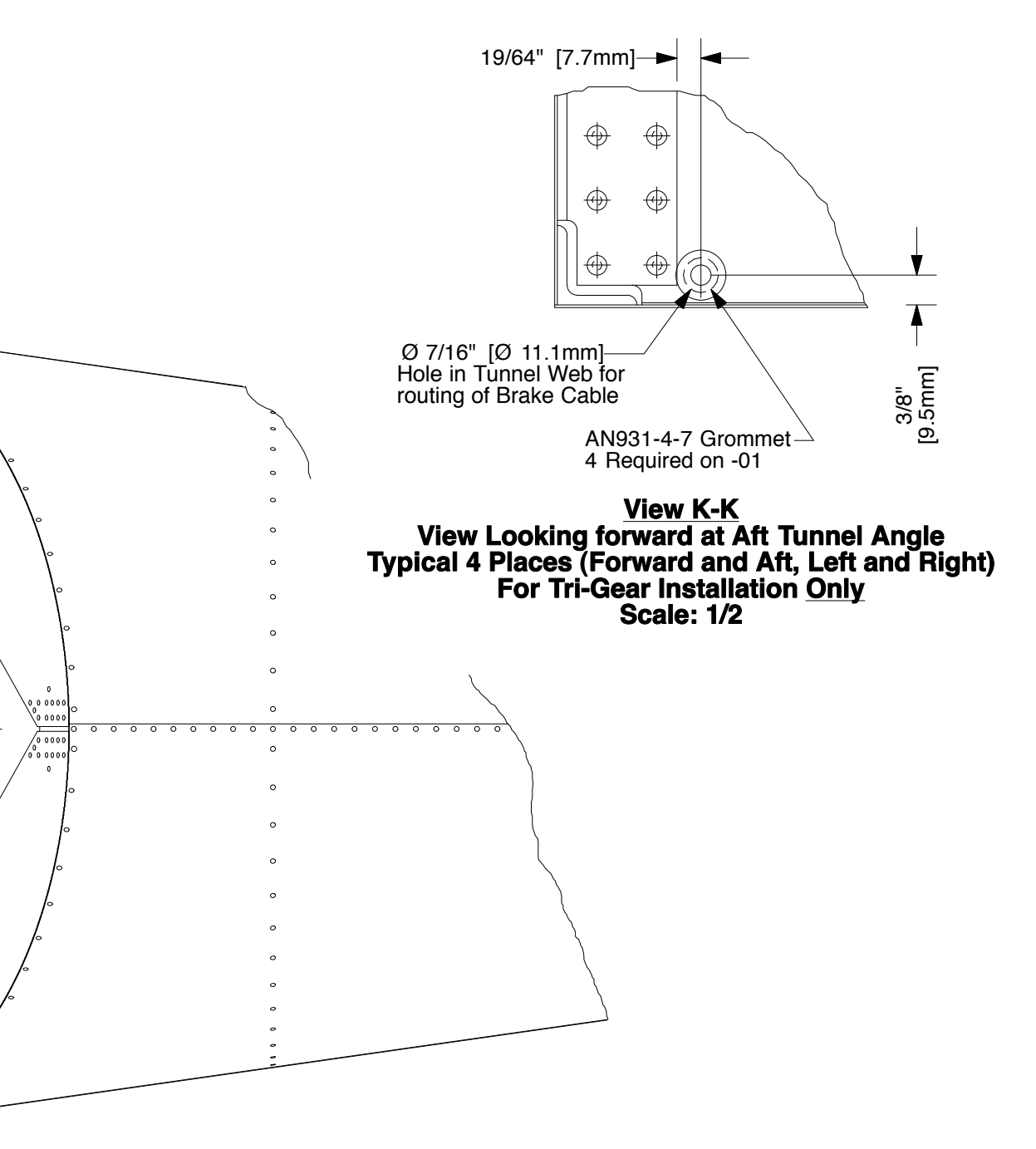
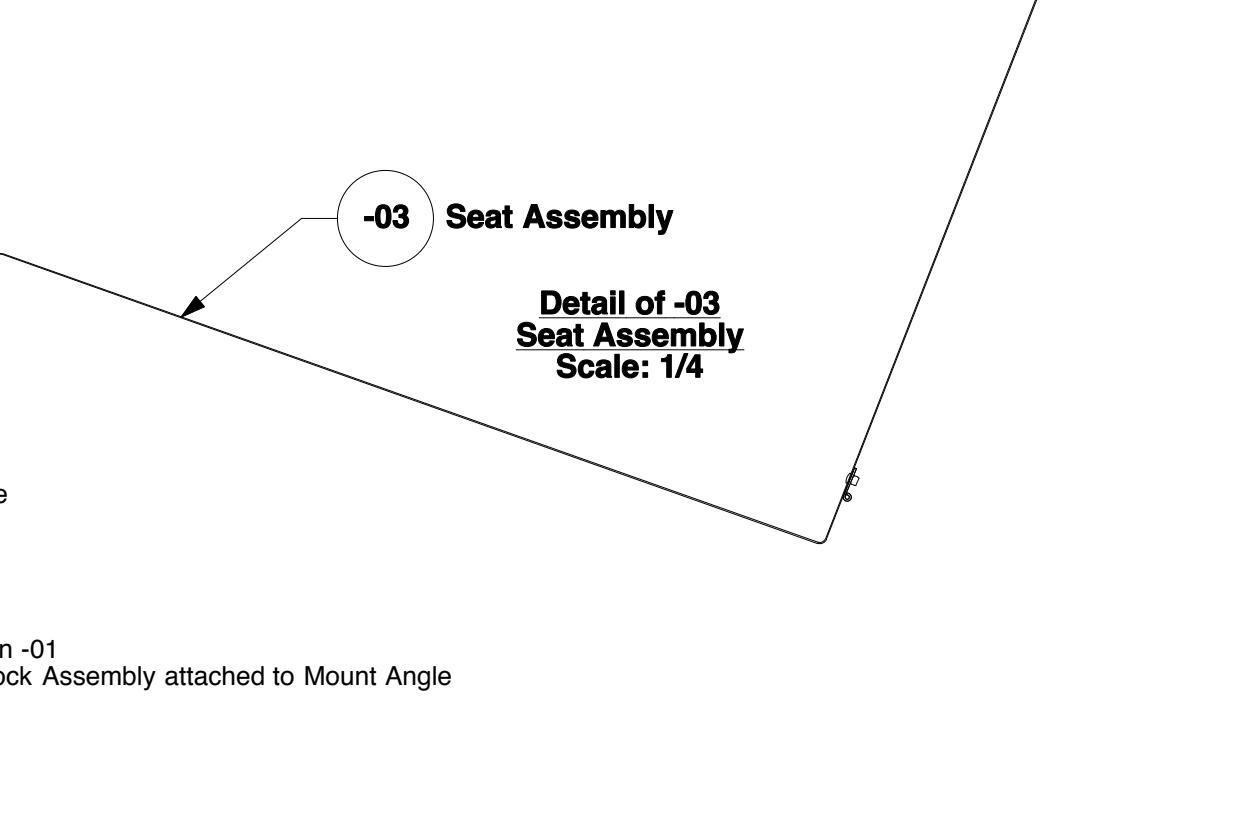
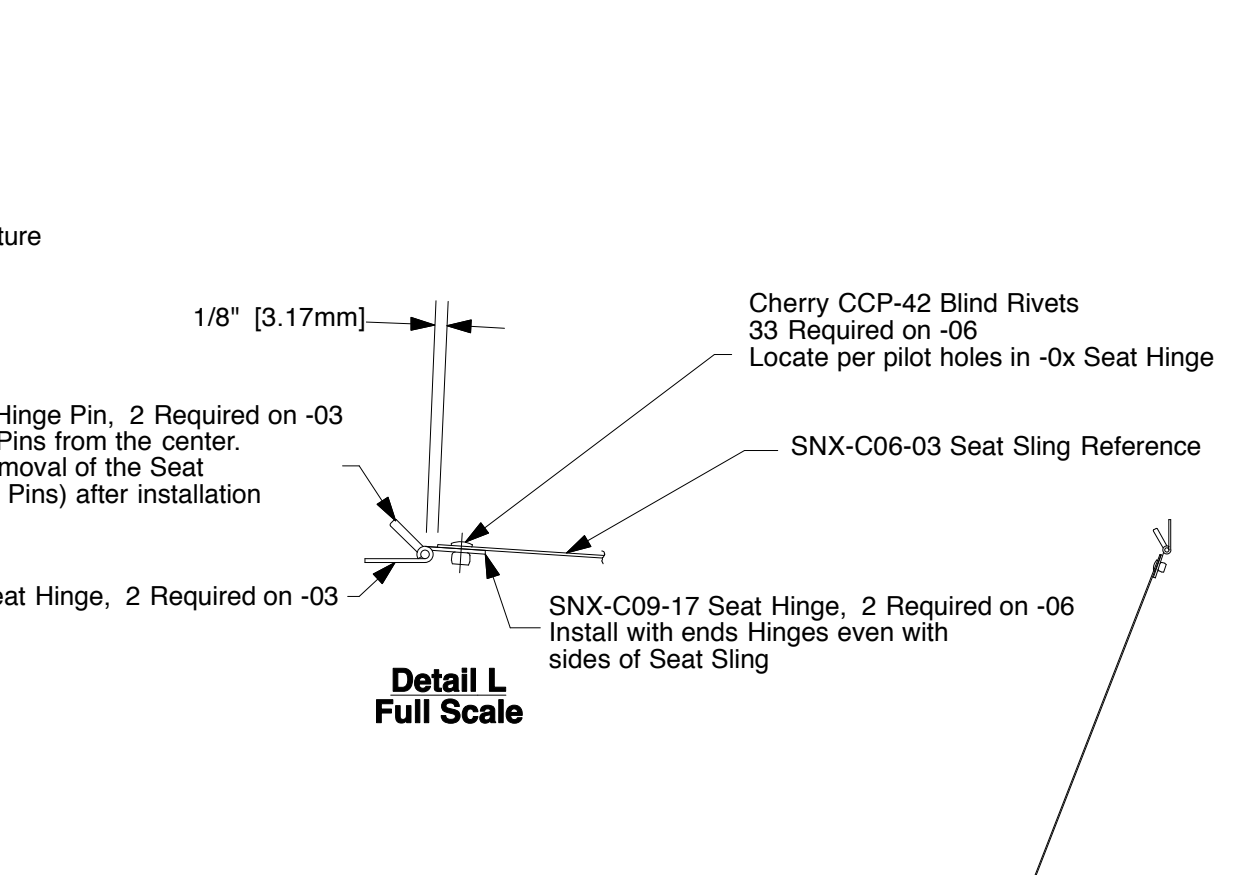
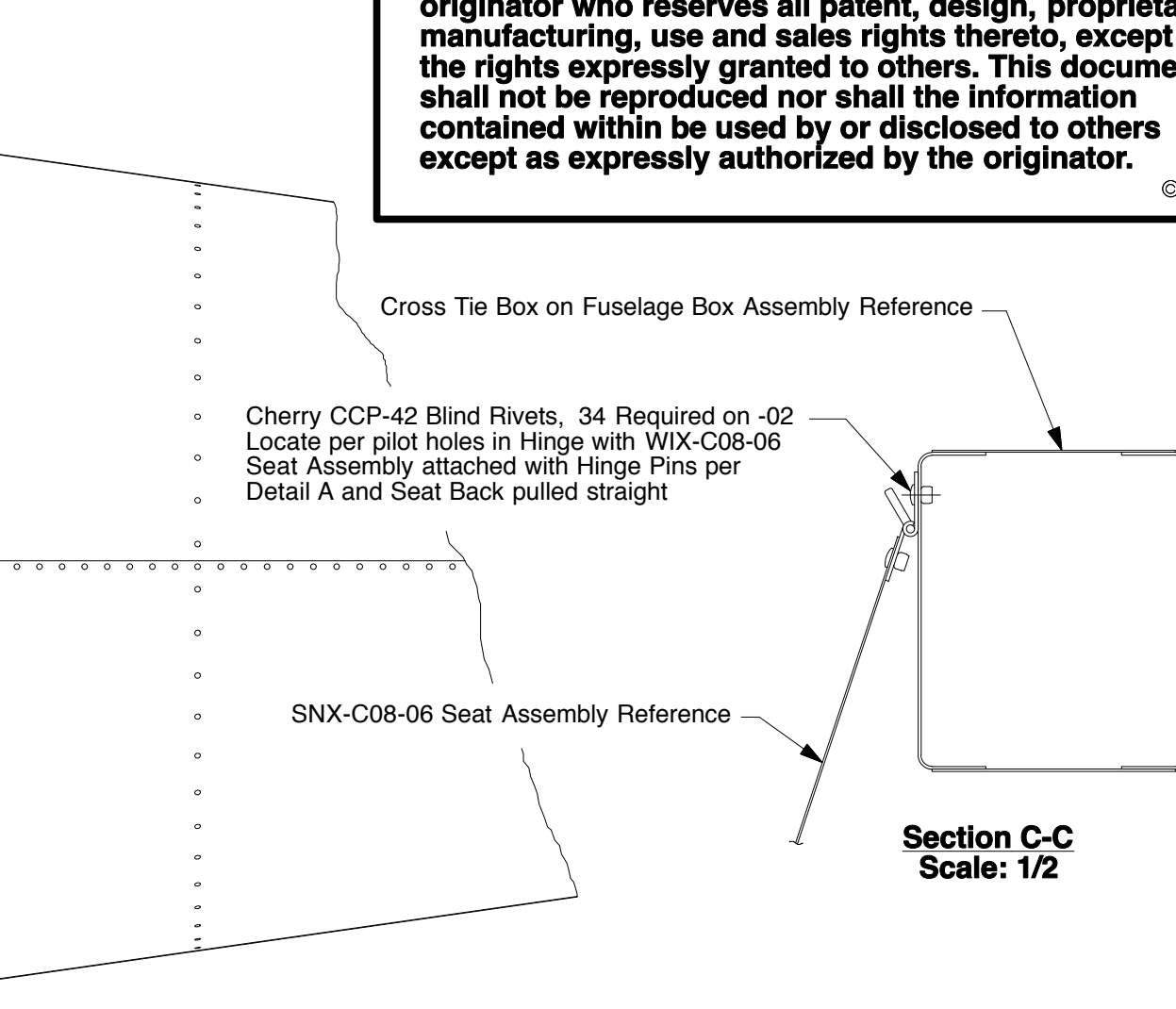
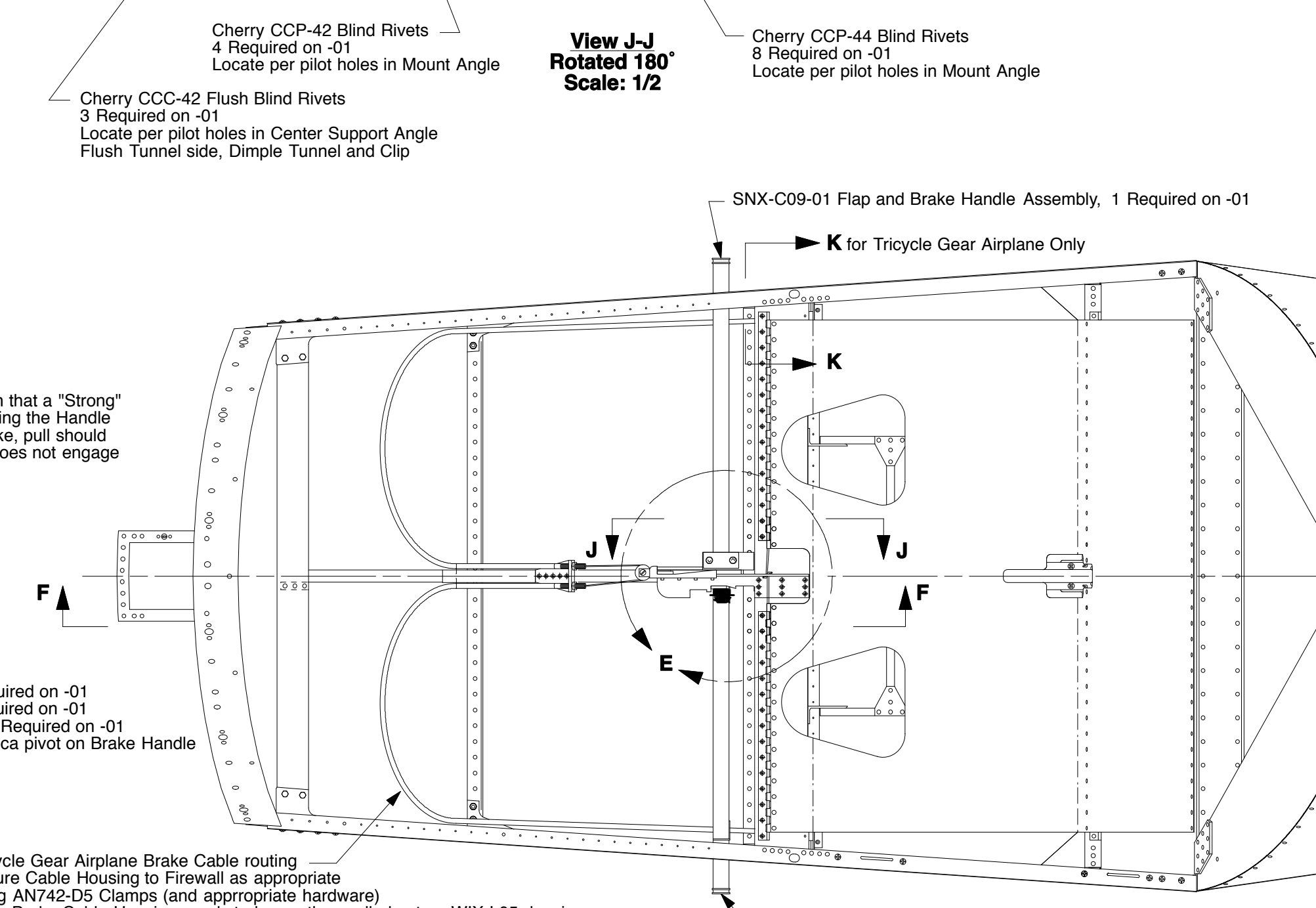
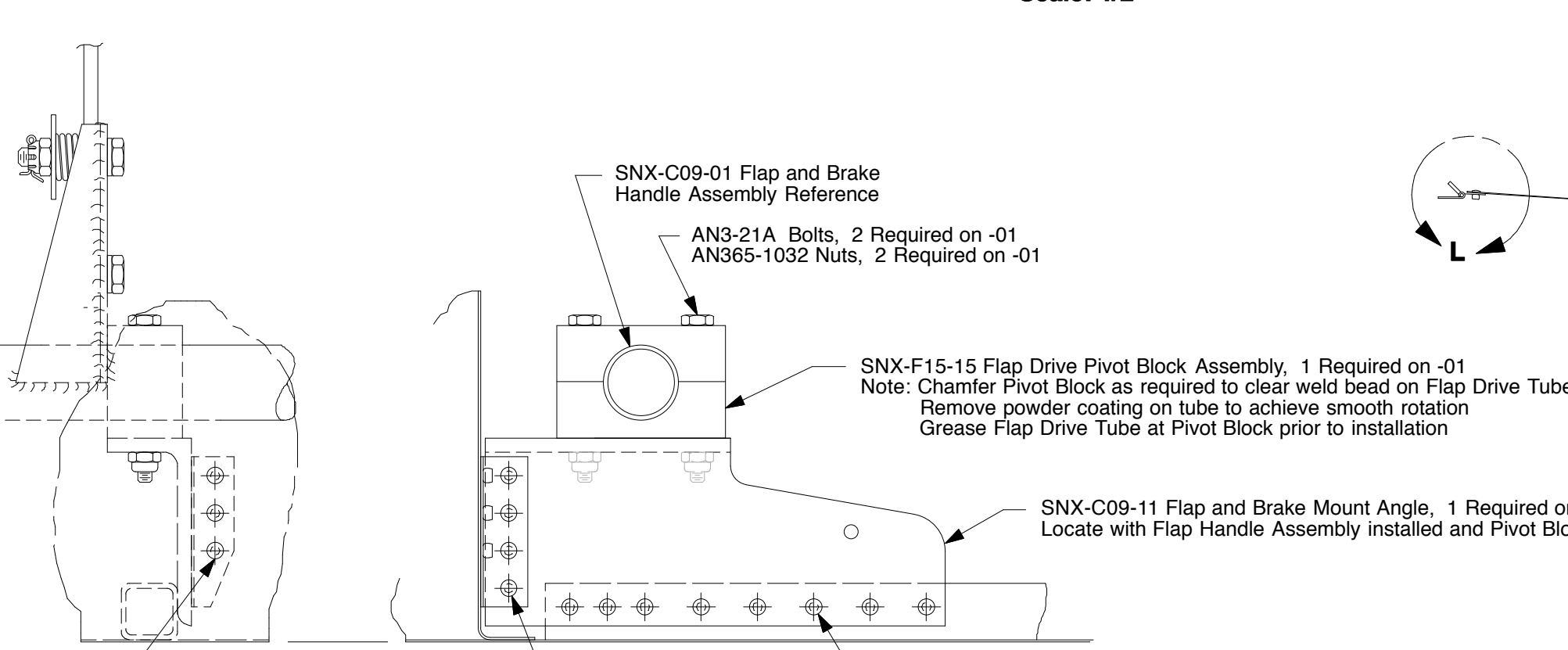
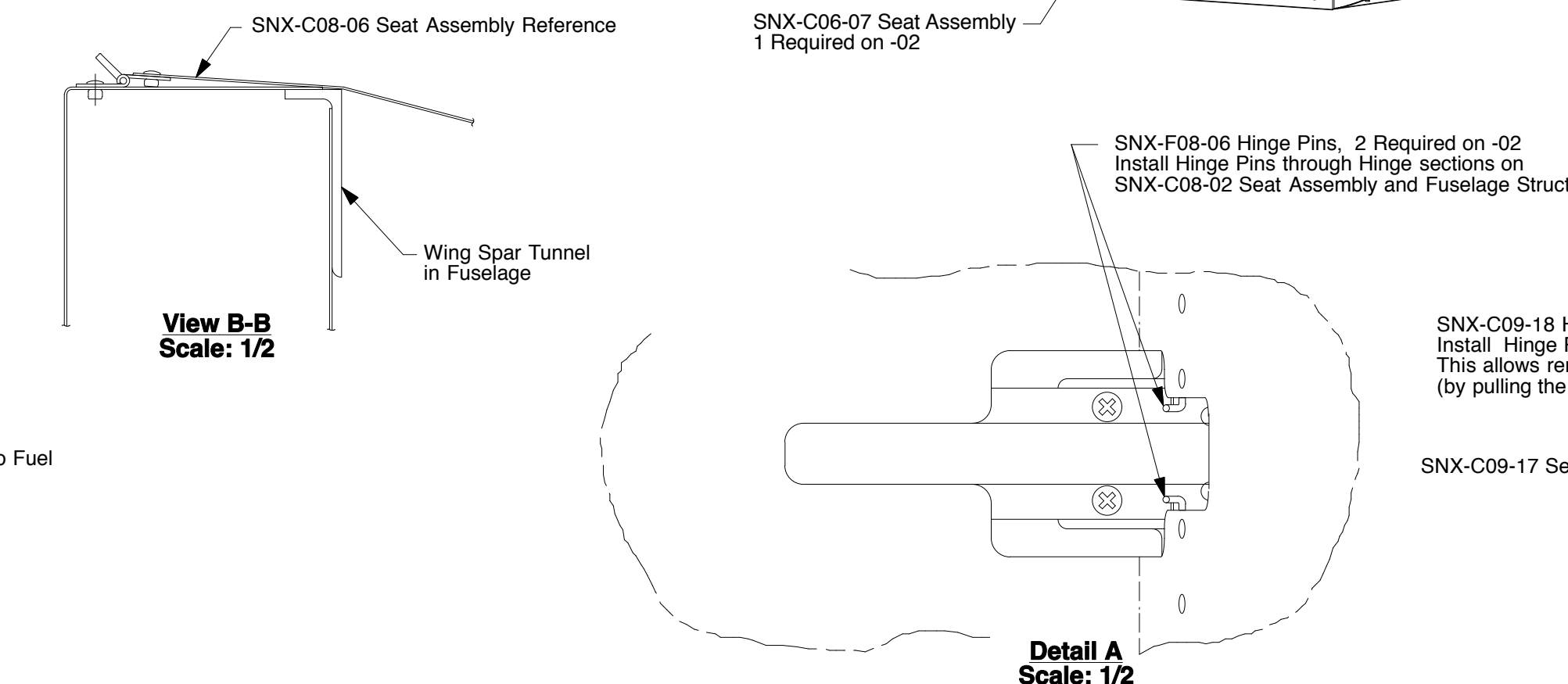
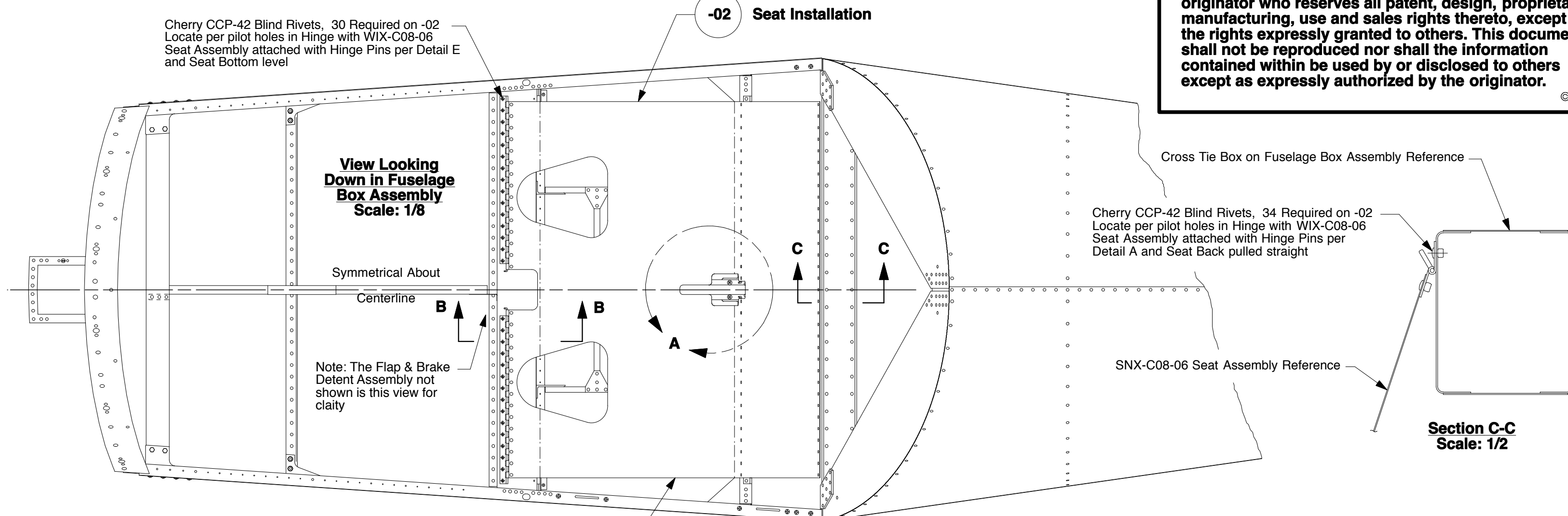
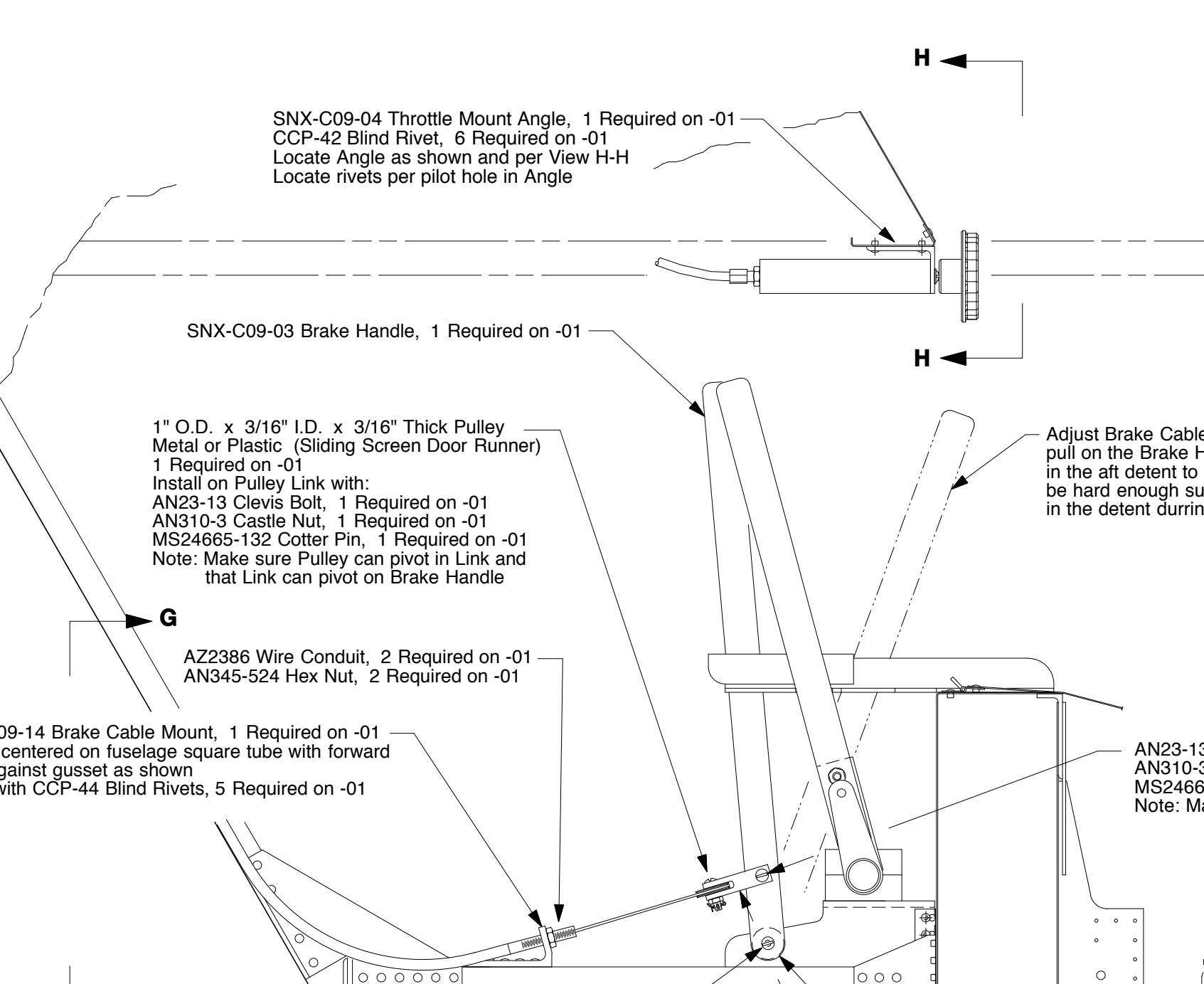
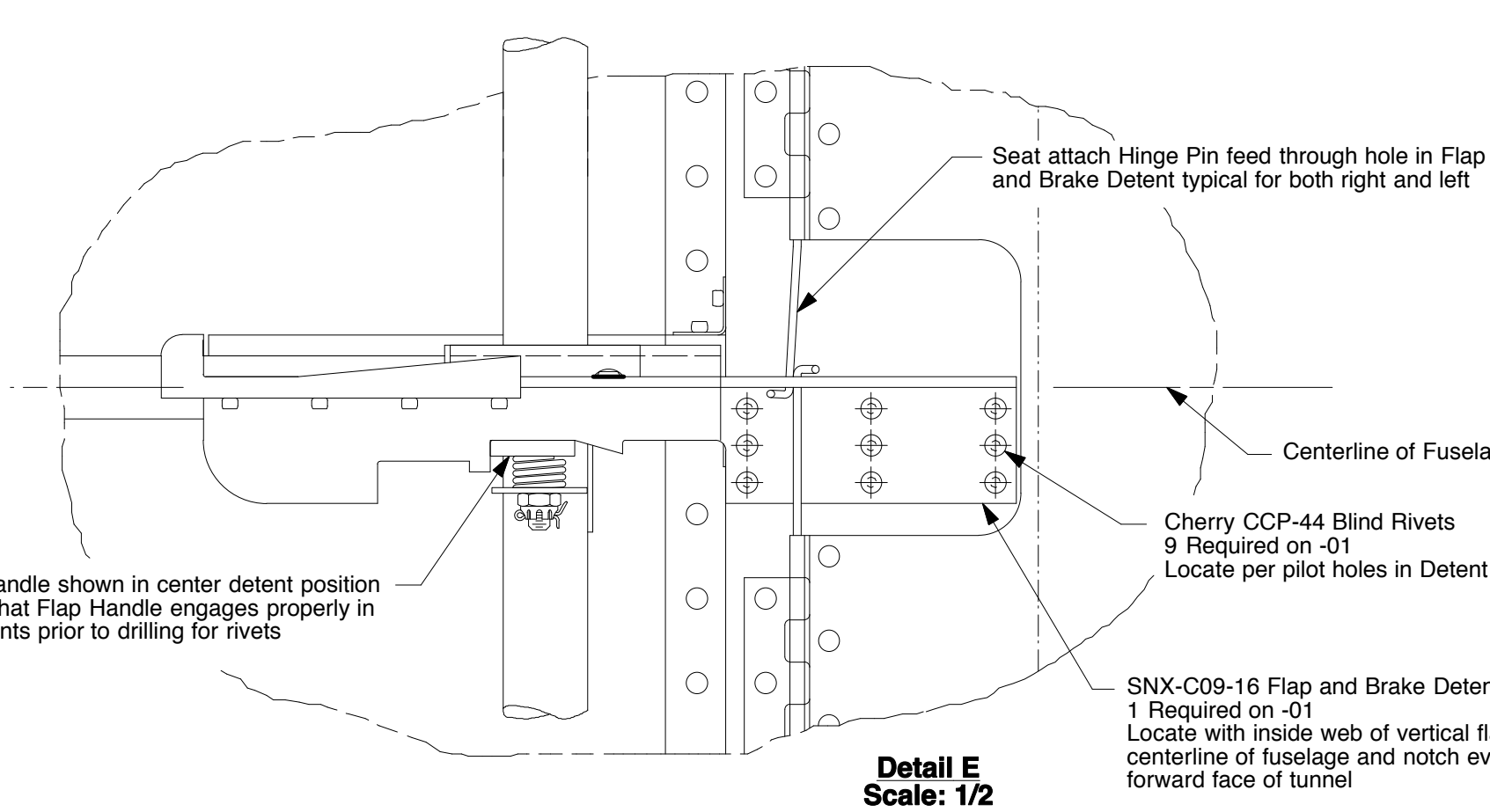
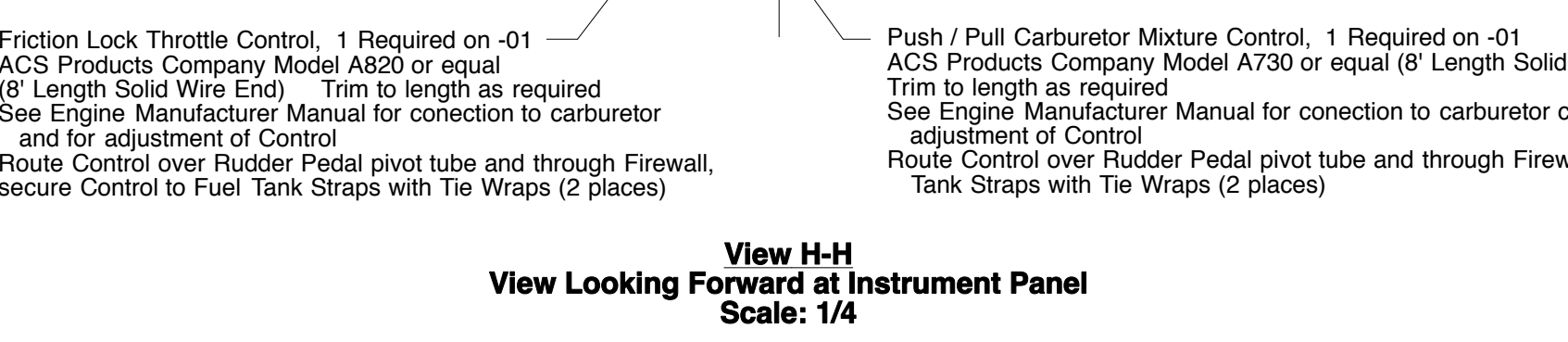
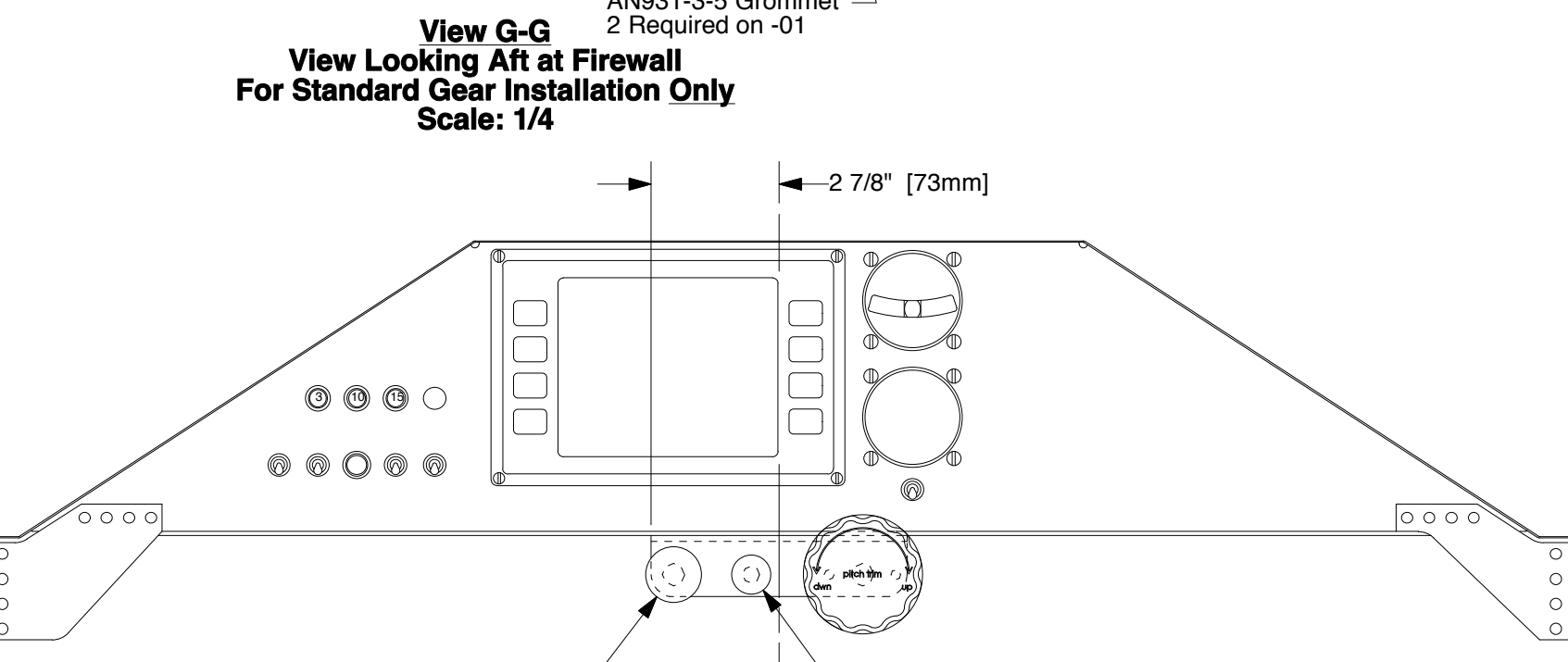
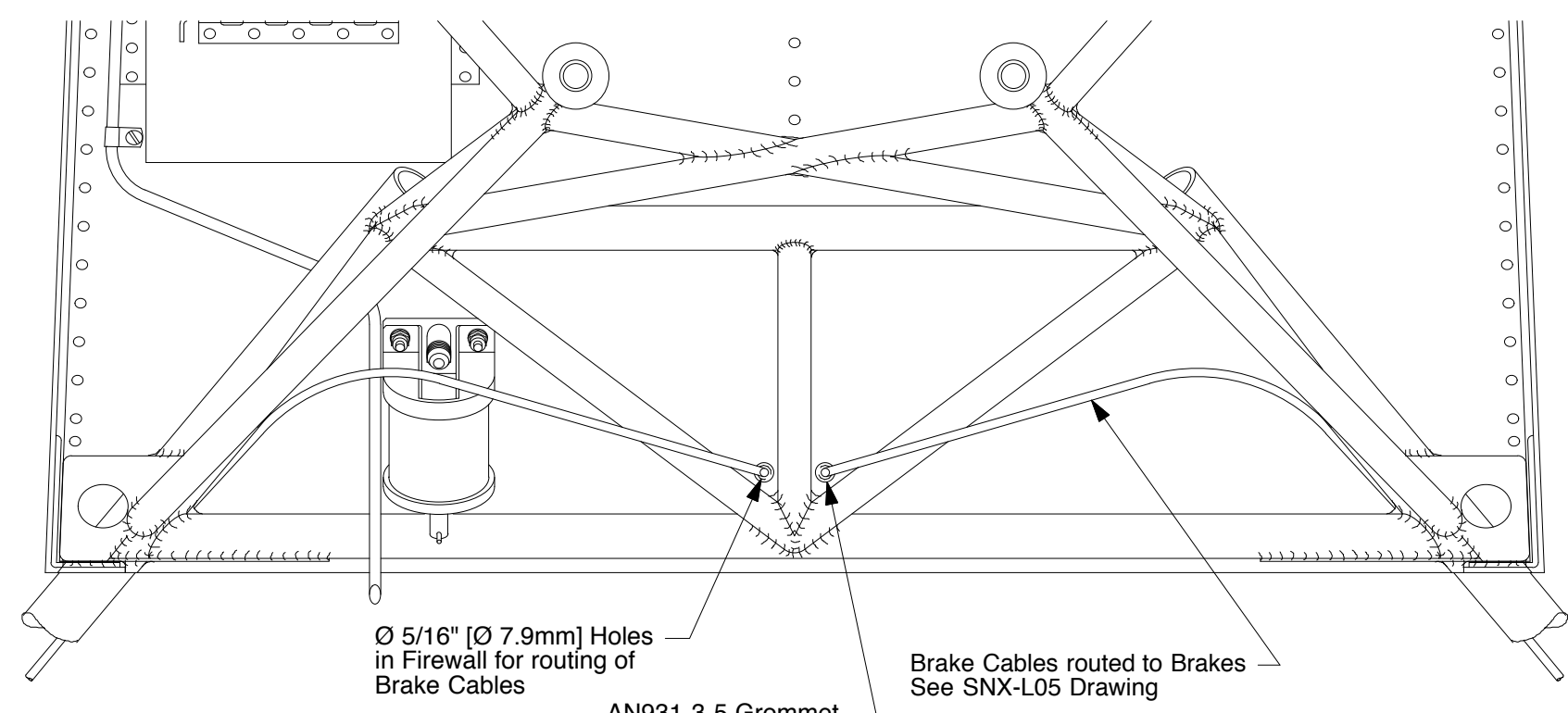


The information disclosed herein is the property of the originator who reserves all patent, design, proprietary, manufacturing, use and sales rights thereto, except for the rights expressly granted to others. This document shall not be reproduced nor shall the information contained within be used by or disclosed to others except as expressly authorized by the originator.

Revision Letter	Change Description
A	Replaced C09-11 Flap and Brake Mount with C09-19 Flap and Brake Mount and C09-10 Support Angle with C09-20 Support Angle Note: C09-11 is still acceptable installed per Rev N/C.



The Optional Dual Control Installation is not called out on the sonex drawing system. The following Installations, Assemblies or Parts (and their associated detailed parts) are no longer required when equipping the Aircraft with the Optional Dual Control Installation:

- SNX-C04-05 Flap Handle Assembly
- SNX-F08-01 Seat Installation
- SNX-F08-07 Flap & Trim Installation
- SNX-F08-09 Trim Lever
- SNX-F08-12 Trim Cable Attach Clip
- SNX-F08-10 Forward Attach Angle
- SNX-F08-11 Aft Attach Angle
- SNX-L05-03 Standard Gear Brake Handle Installation
- SNX-L05-04 Tricycle Gear Brake Handle Installation
- SNX-T07-05 Trim Tab Assembly
- SNX-T07-07 Cable Attach Assembly

Additionally the following modifications are made:

- SNX-C01 SNX-C09-01 Flap Handle replaces SNX-C04-05
- SNX-C01 Do Not Install 3/16" OD Cable Housing for Trim Tab
- SNX-C06 Trim System changes to ACV-T01-01 Trim System and mounted in the center as shown on this drawing
- SNX-F15 3 each SNX-F15-15 (additional one on SNX-C08)

- Note: General Construction Order
- 1) Install -02 Seat Installation
 - 2) Install the SNX-C09-01 Flap Handle Assembly onto the pivot block assemblies per the SNX-C01 drawing
 - 3) With the SNX-C09-11 Mount held in place install the SNX-F15-15 Flap Drive Pivot Block Assembly on the Flap Handle Assembly per View J-J
 - 4) Drill, Deburr and Rivet the SNX-C09-19 Mount onto the square tube on the fuselage floor per View J-J
 - 5) Drill, Deburr and Install the SNX-C09-20 Center Support Angle per View J-J
 - 6) Drill, Deburr and Install the SNX-C09-16 Flap and Detent Assembly. Verify the Flap Handle travels freely through it's full range
 - 7) Install the SNX-C09-03 Brake Handle onto the Flap and Brake Detent Assembly per View F-F
 - 8) Install the SNX-L05-11 Pulley Link onto the Brake Handle
 - 9) Install the SNX-C09-14 Brake Cable Mount per View F-F
 - 10) Install the Conduit Retainers and Nuts onto the Brake Cable Mount per View F-F
 - 11) Install the Brake Cables to integrate with the rest of the Brake System, Reference SNX-L05 drawing.
Note: For the Standard Gear Aircraft, Route the brake cables as shown in View G-G
 - 12) Route and secure the brake cable as shown on the SNX-L05 drawing.
 - 13) Adjust the brake cable (for Parking Brake) as noted in View F-F
 - 14) Install the SNX-C09-04 Throttle Mount Angle per View F-F
 - 15) Install the ACV-T01-01 Trim Unit to the SNX-C09-04 Mount and hook up the Trim System per the ACV-T01-01 Manual.
 - 16) Install the Throttle and Mixture cable assemblies per View H-H

-01	1	Dual Control	None
Dash / Part Number	Qty Req'd	Part Title	Next Assembly

sonex
Optional Dual Center (Sport Trainer) Control System Installation

Drawing Scale	Drawing Number	Revision
1/8 & Noted	SNX-C08	A