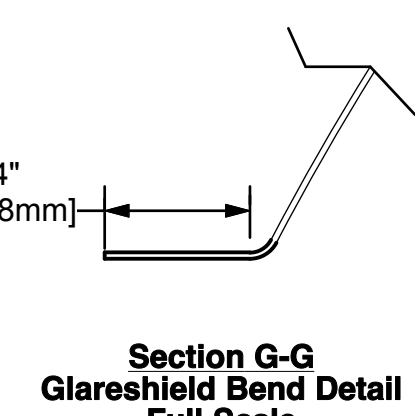
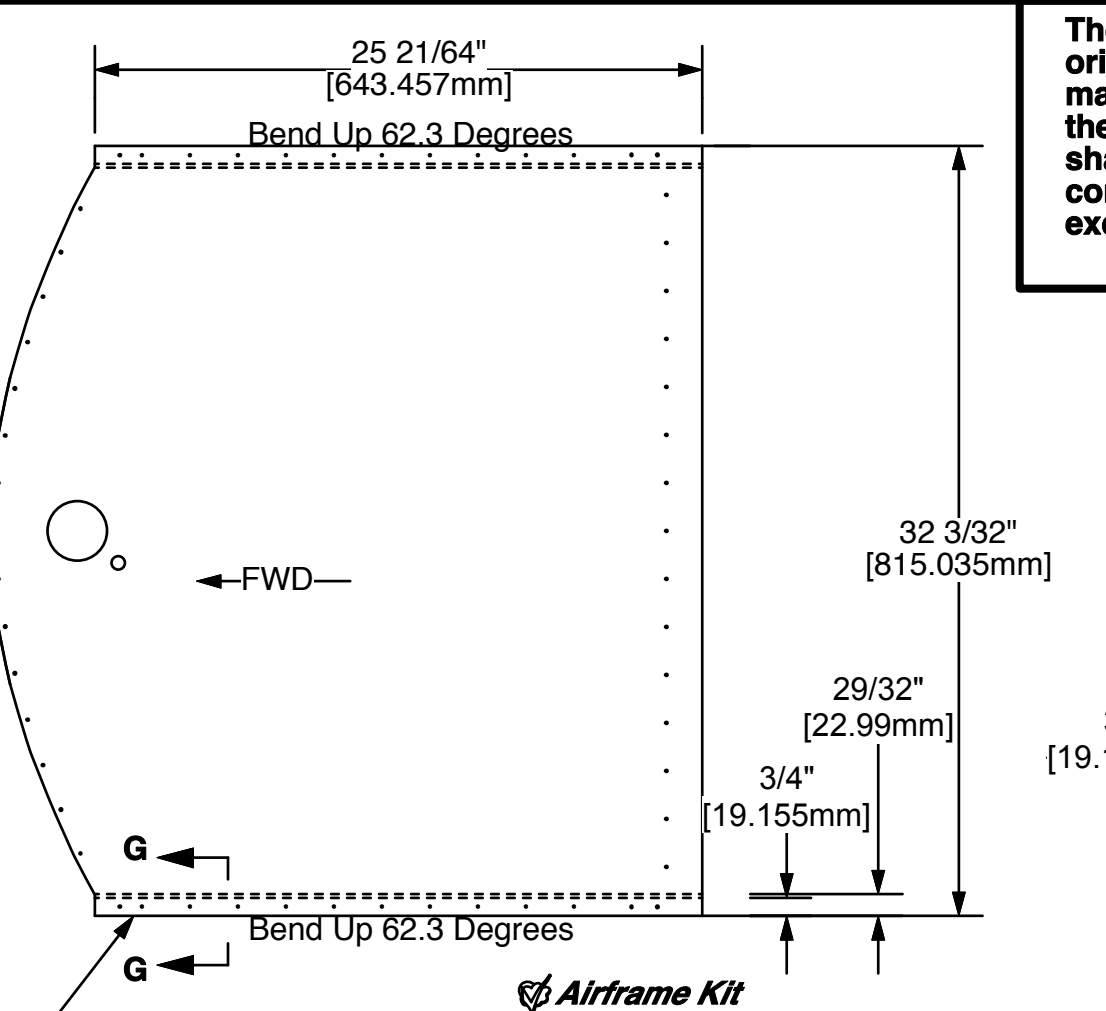
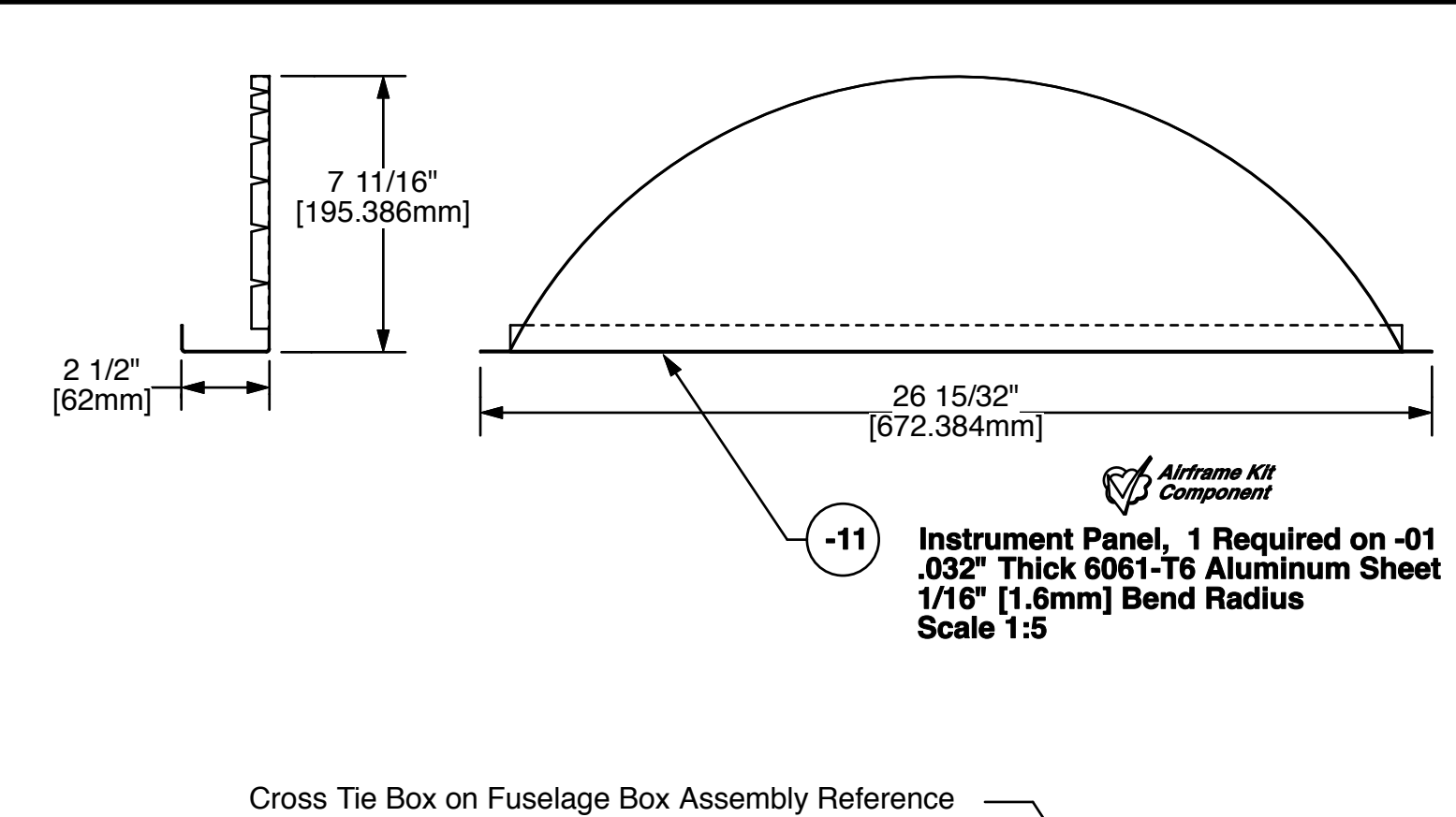
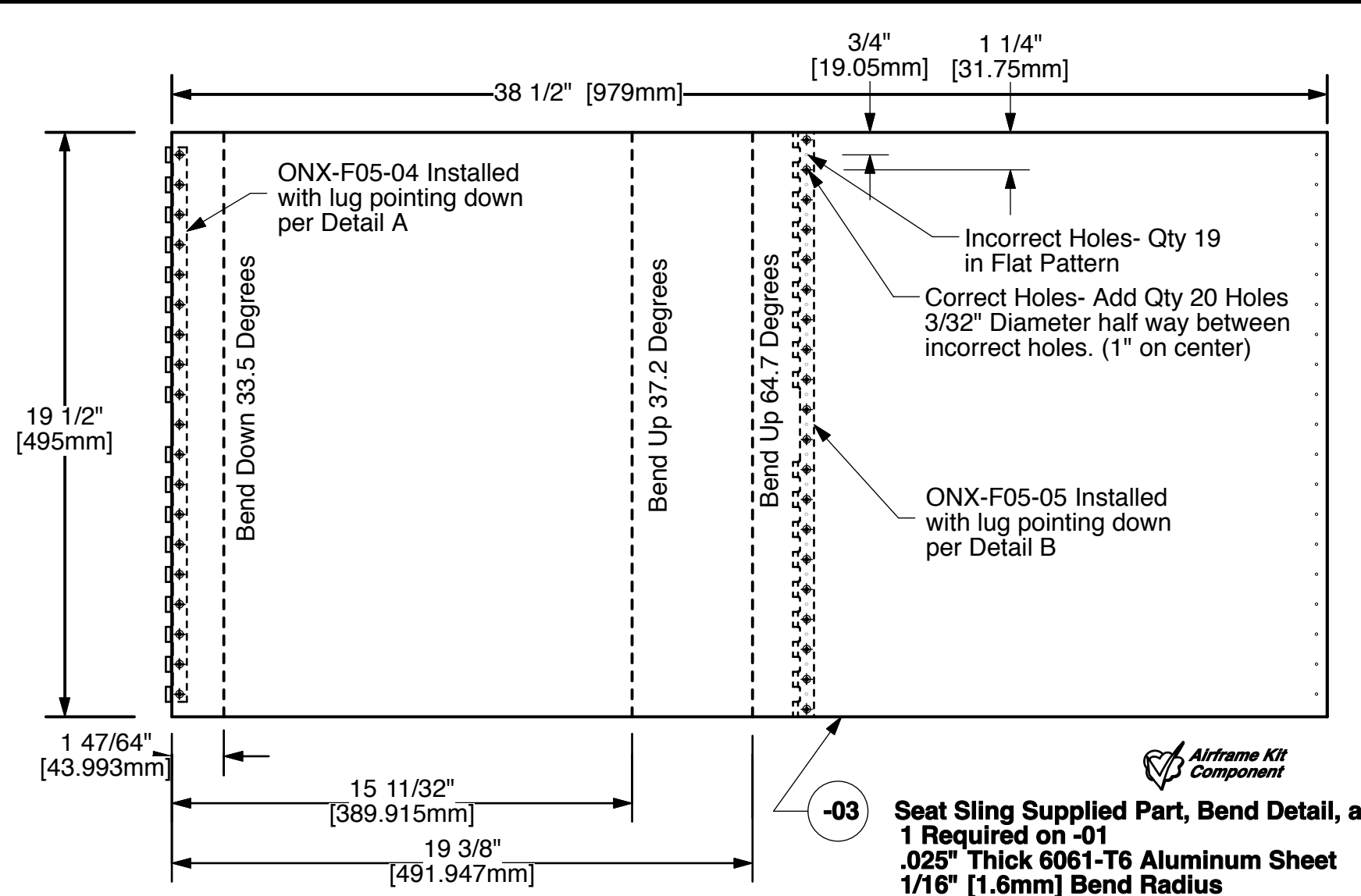
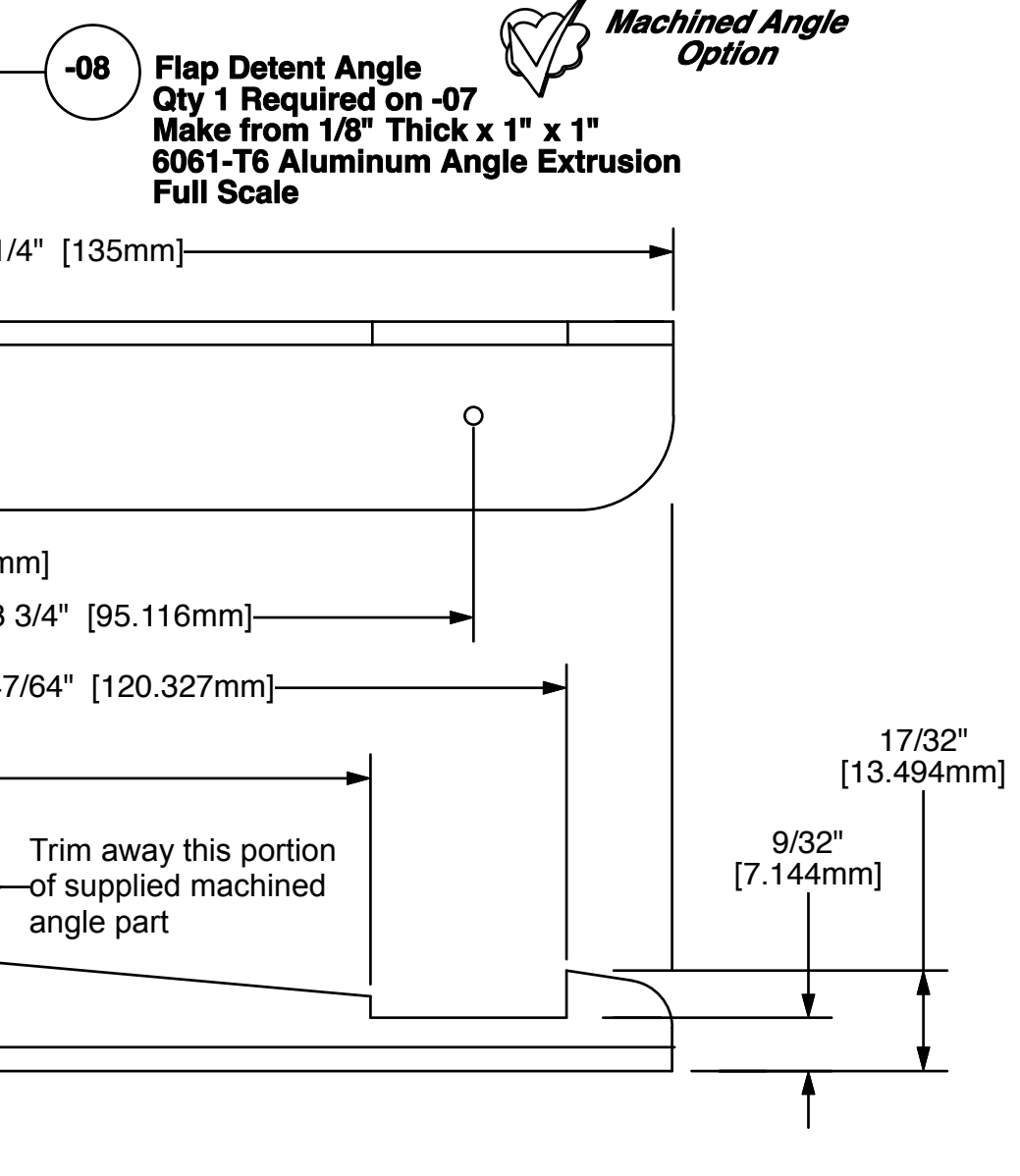


The information disclosed herein is the property of the originator who reserves all patent, design, proprietary, manufacturing, use and sales rights thereto, except for the rights expressly granted to others. This document shall not be reproduced nor shall the information contained within be used by or disclosed to others except as expressly authorized by the originator.

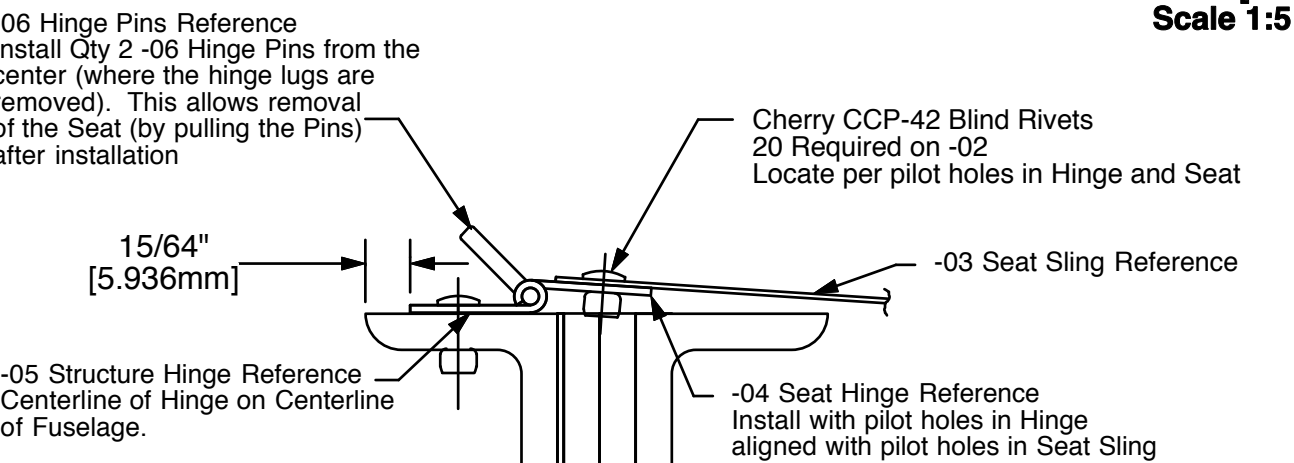
Revision Letter	Change Description	Revision
A	Detail -08 listed as 1/2 Scale. Is Full Scale. Also Detail -08 listed Aft Notch at 15/32" from back of part. S/B 11/32". Added Section G-G and dimensions to Detail -10.	2.7.12



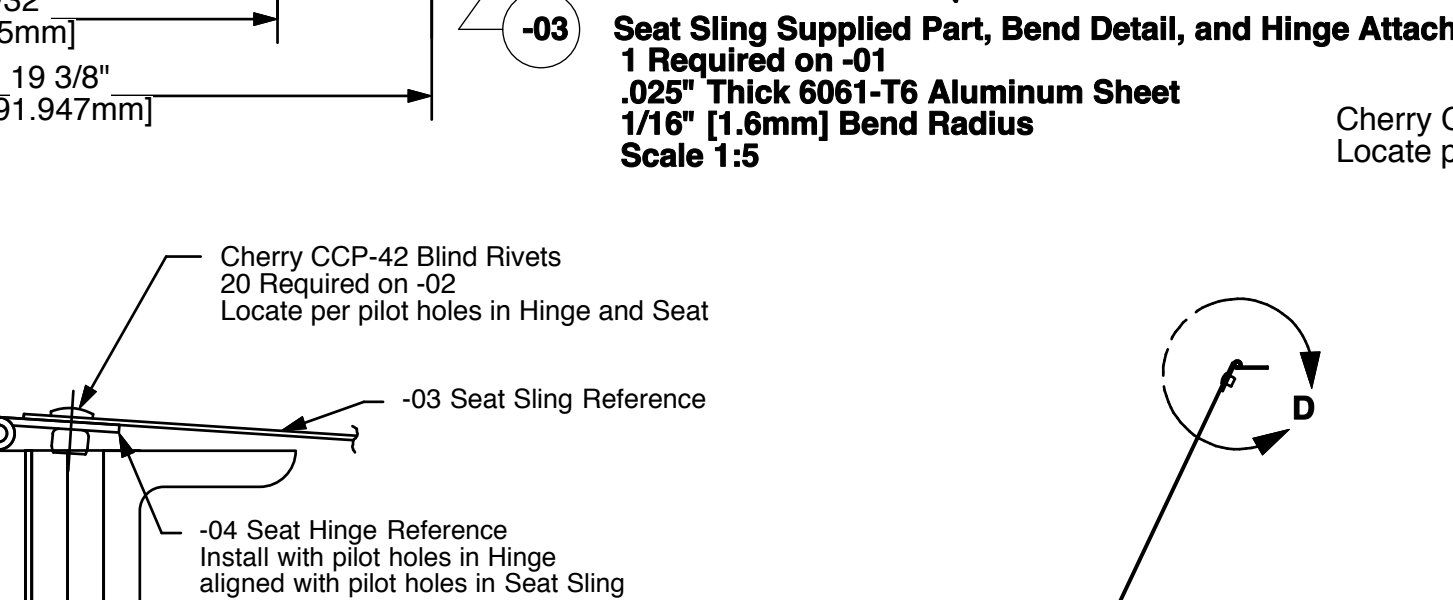
Section G-G
Glare Shield Band Detail
Full Scale



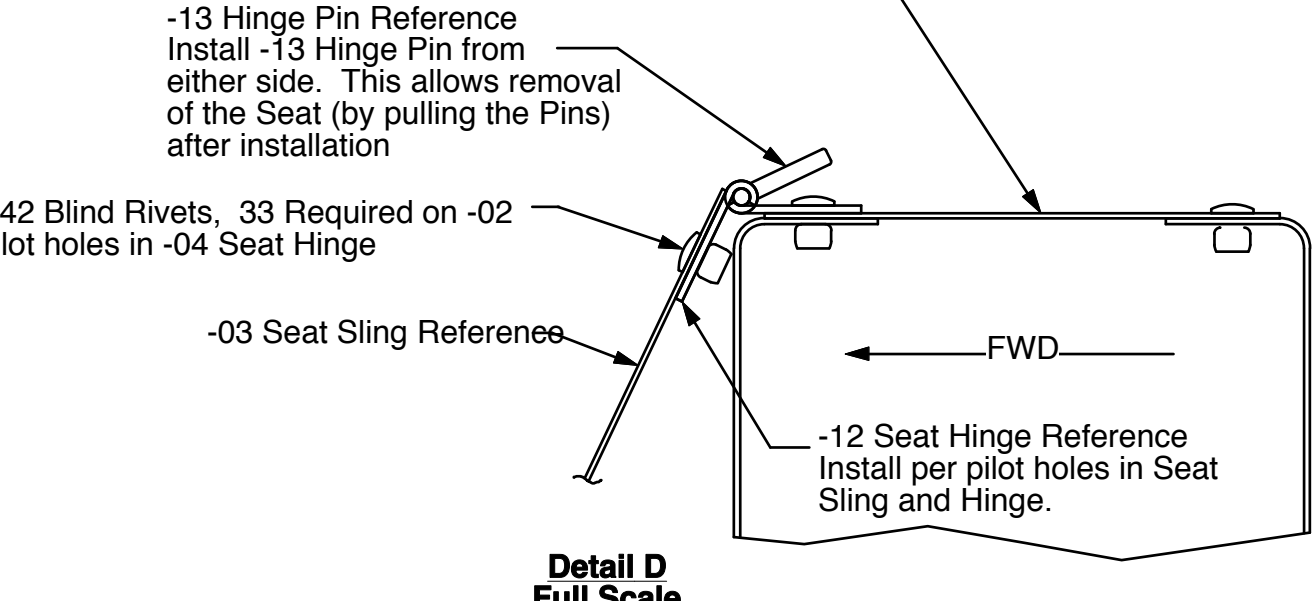
Machined Angle Option



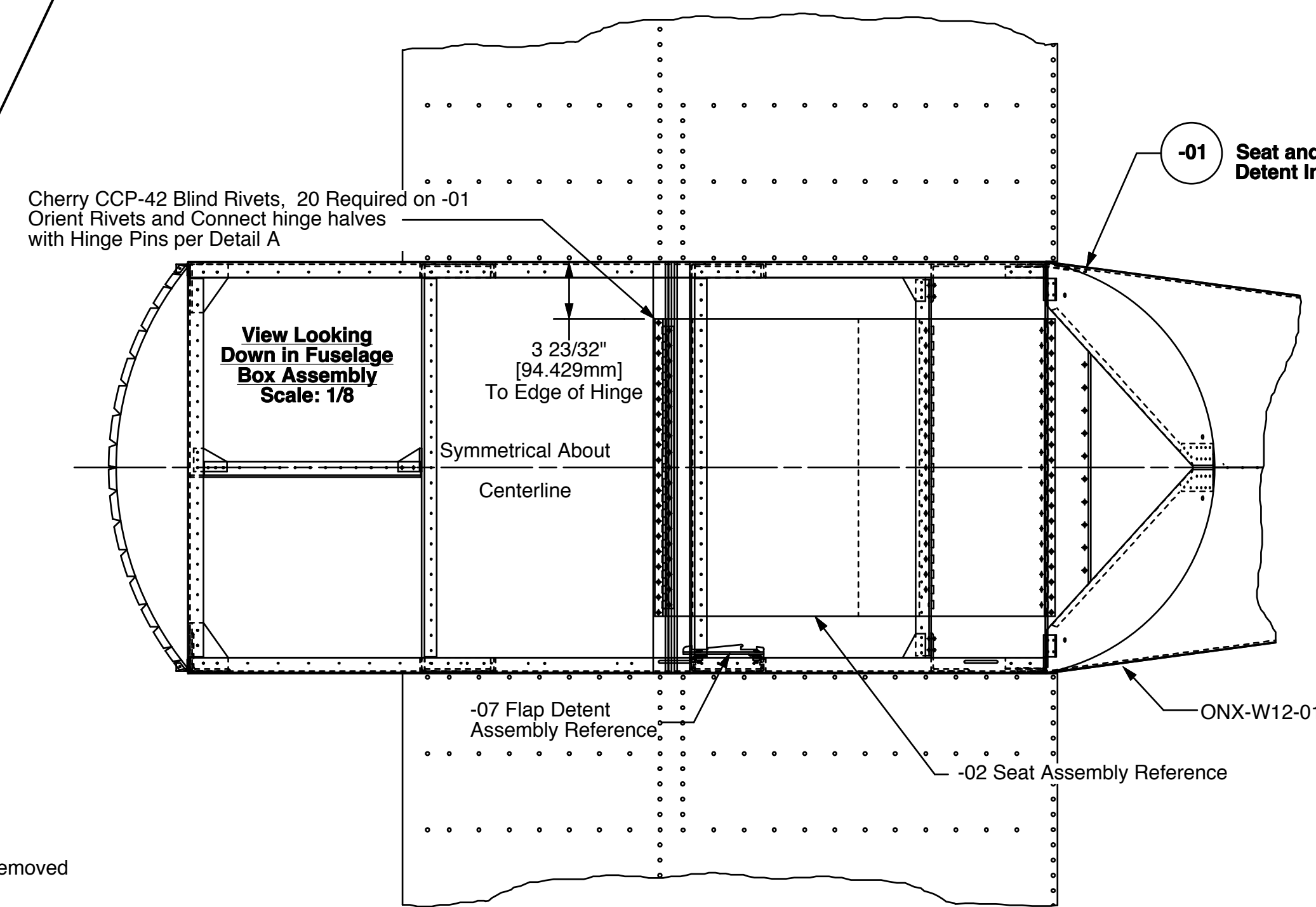
Detail A
Full Scale



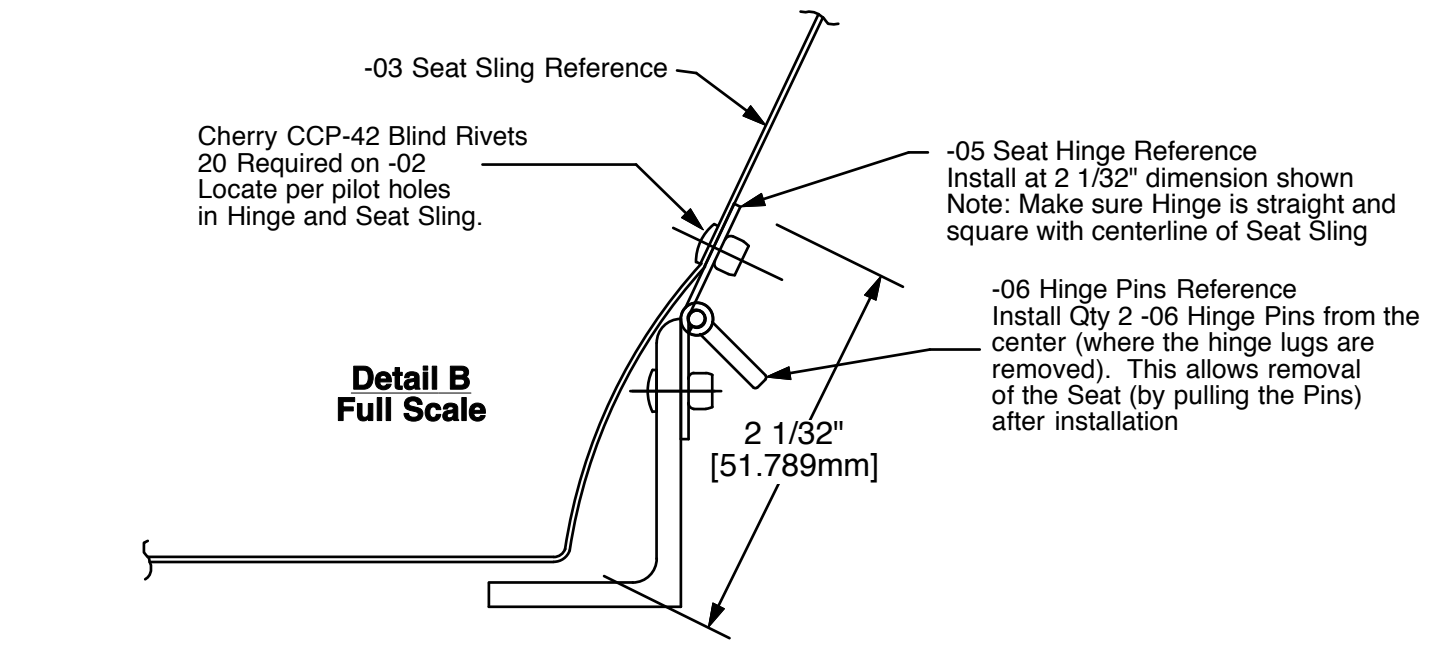
Detail B
Full Scale



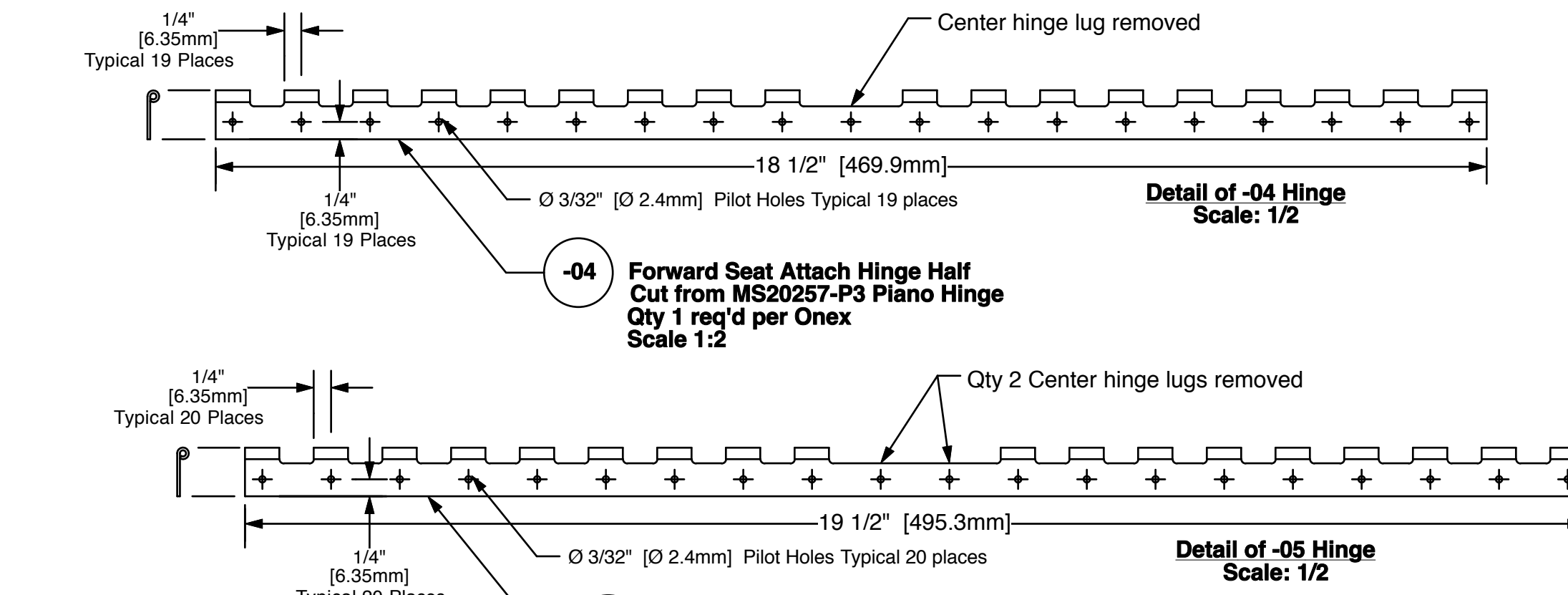
Detail D
Full Scale



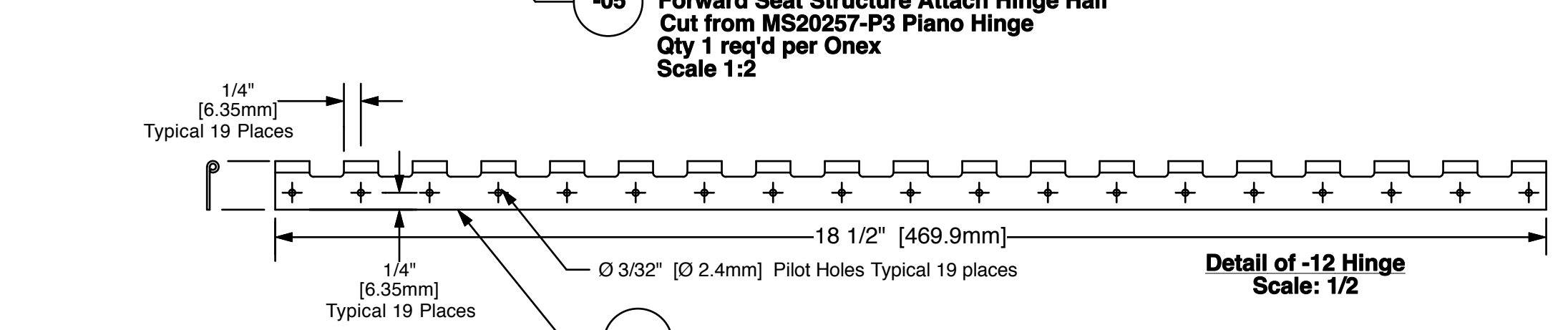
View Looking Down in Fuselage Box Assembly
Scale: 1/8



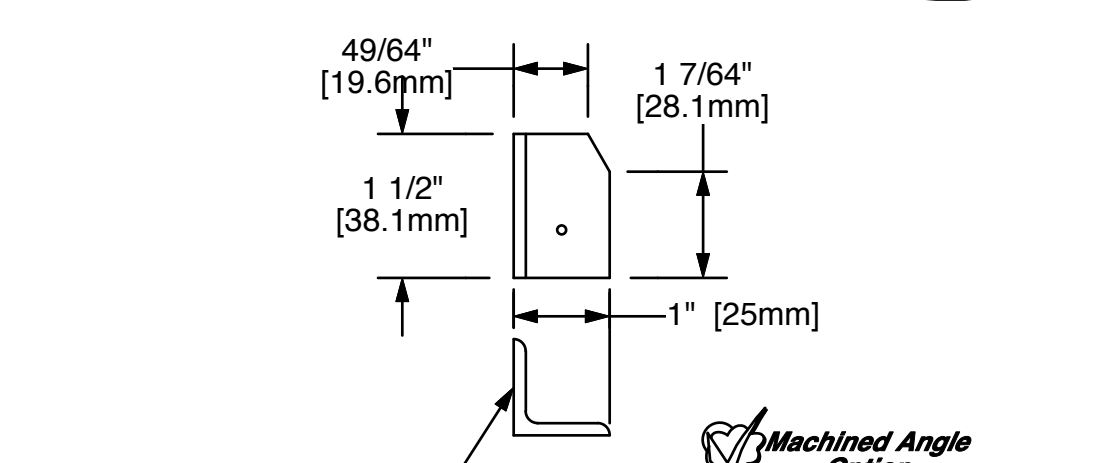
Detail of -04 Hinge
Scale: 1/2



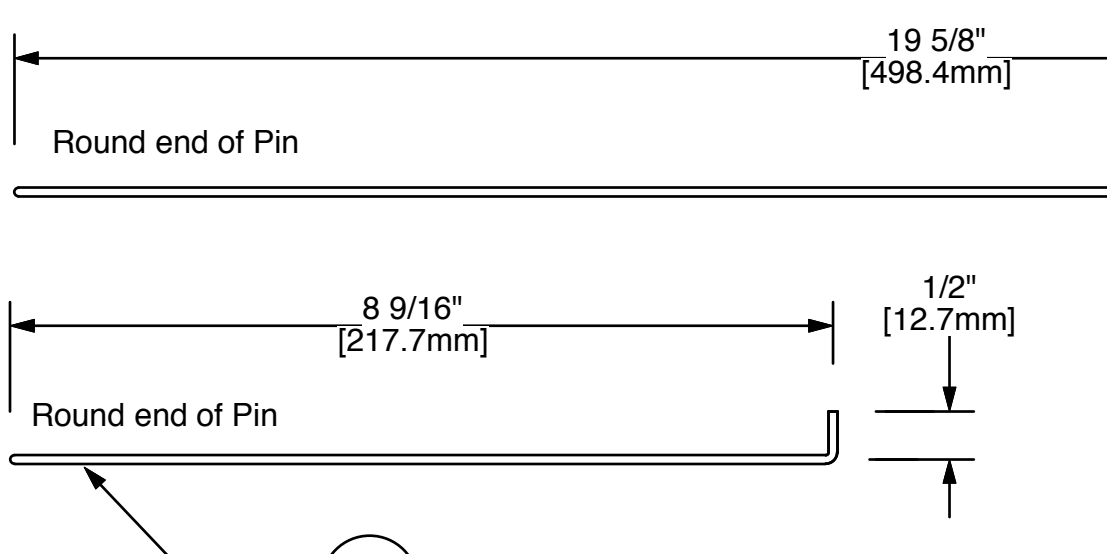
Detail of -05 Hinge
Scale: 1/2



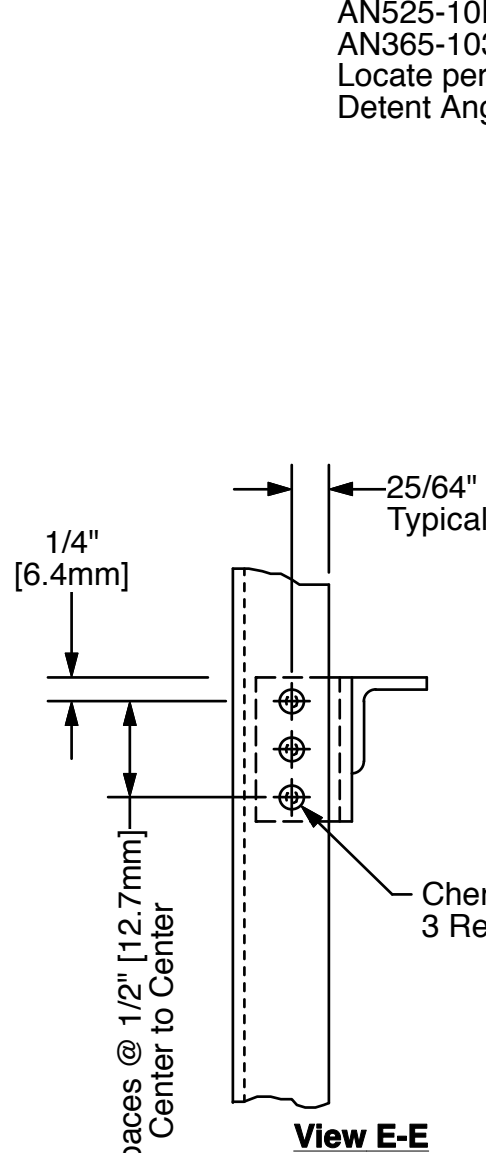
Detail of -12 Hinge
Scale: 1/2



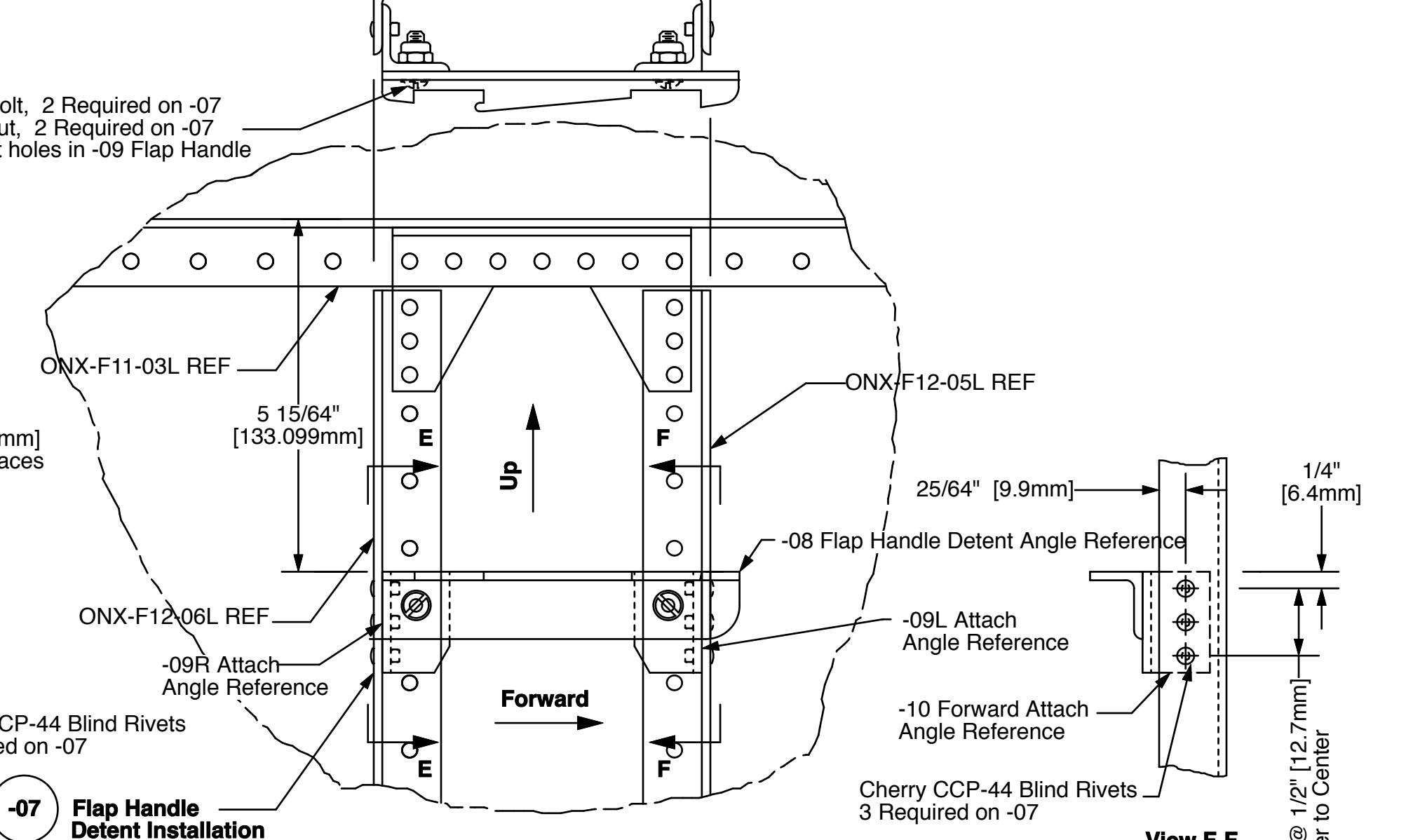
-09R RH Flap Detent Attach Angle
Qty 1 Required on -07
Make from 1/8" Thick x 1" x 1"
6061-T6 Aluminum Angle Extrusion
Scale 1:2



-06 Hinge Pin
4 Required on -02
Make from Pin from MS20257P3 Plano Hinge
Scale 1:2



View E-E



View Looking at Inside of Left Hand Fuselage Side Panel

View F-F

Part Number	Qty	Part Title	Next Assembly
-11	1	Instrument Panel	ONX-F04
-10	1	Glare Shield	ONX-F04
-01	1	Seat and Flap Detent Installation	ONX-F04

onex
LH Flap Detent Attach Angle
Qty 1 Required on -07
Make from 1/8" Thick x 1" x 1"
6061-T6 Aluminum Angle Extrusion
Scale 1:2

Drawing Scale	Drawing Number	Revision
1/2 & Noted	ONX-F05	A