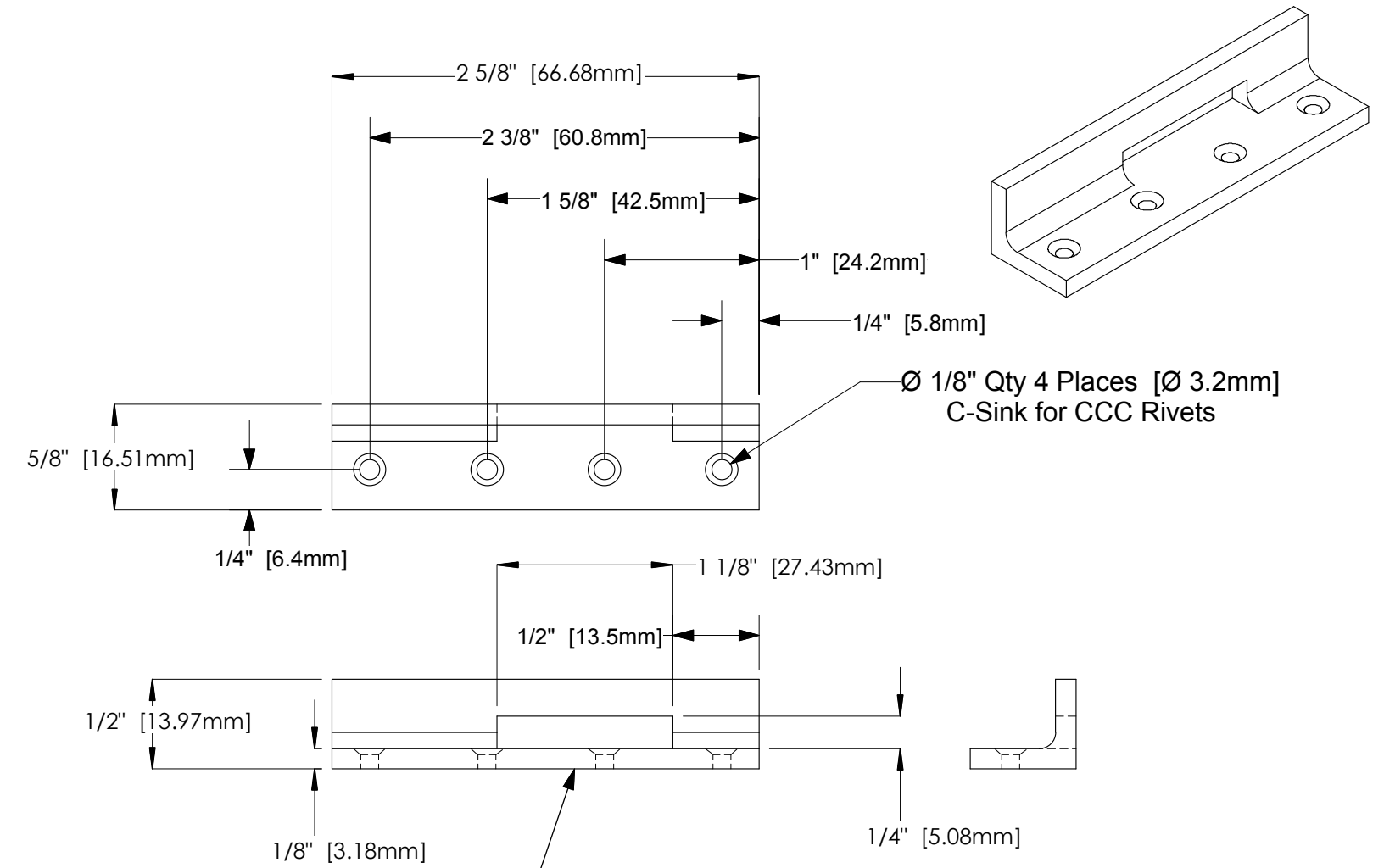
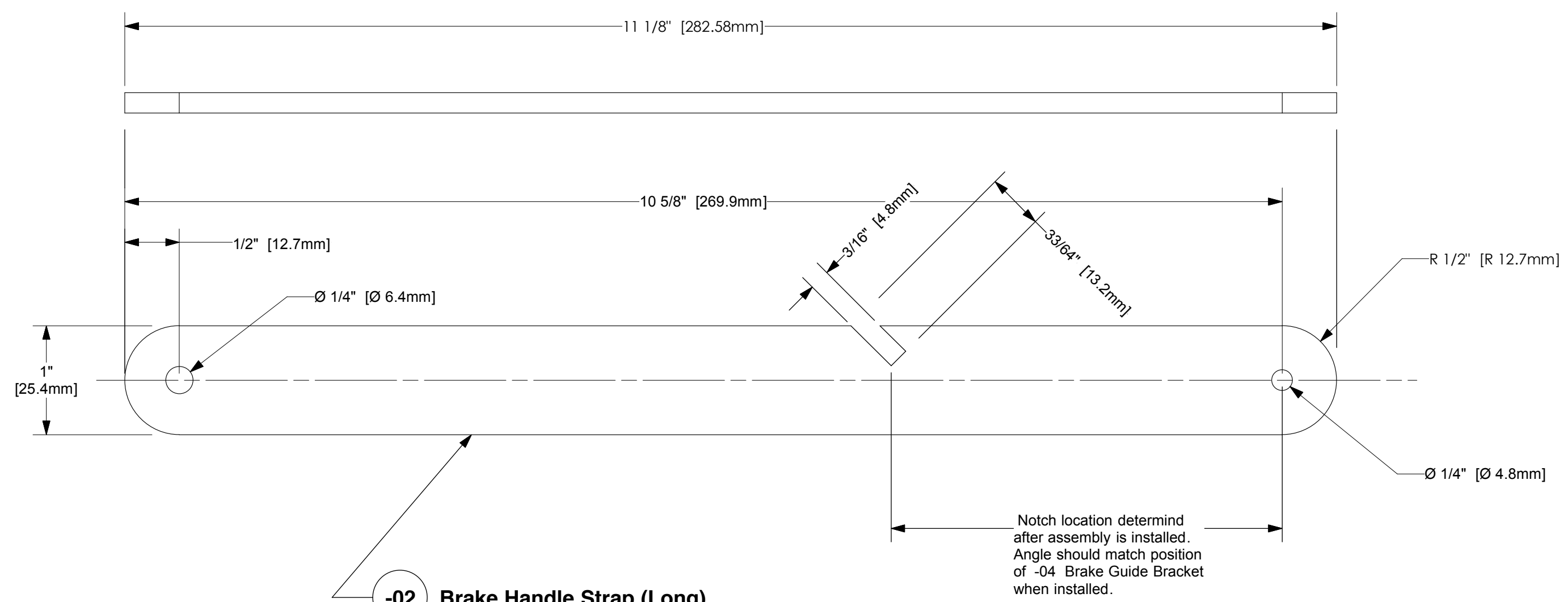


The information disclosed herein is the property of the originator who reserves all patent, design, proprietary, manufacturing, use and sales rights thereto, except for the rights expressly granted to others. This document shall not be reproduced nor shall the information contained within be used by or disclosed to others except as expressly authorized by the originator. ©

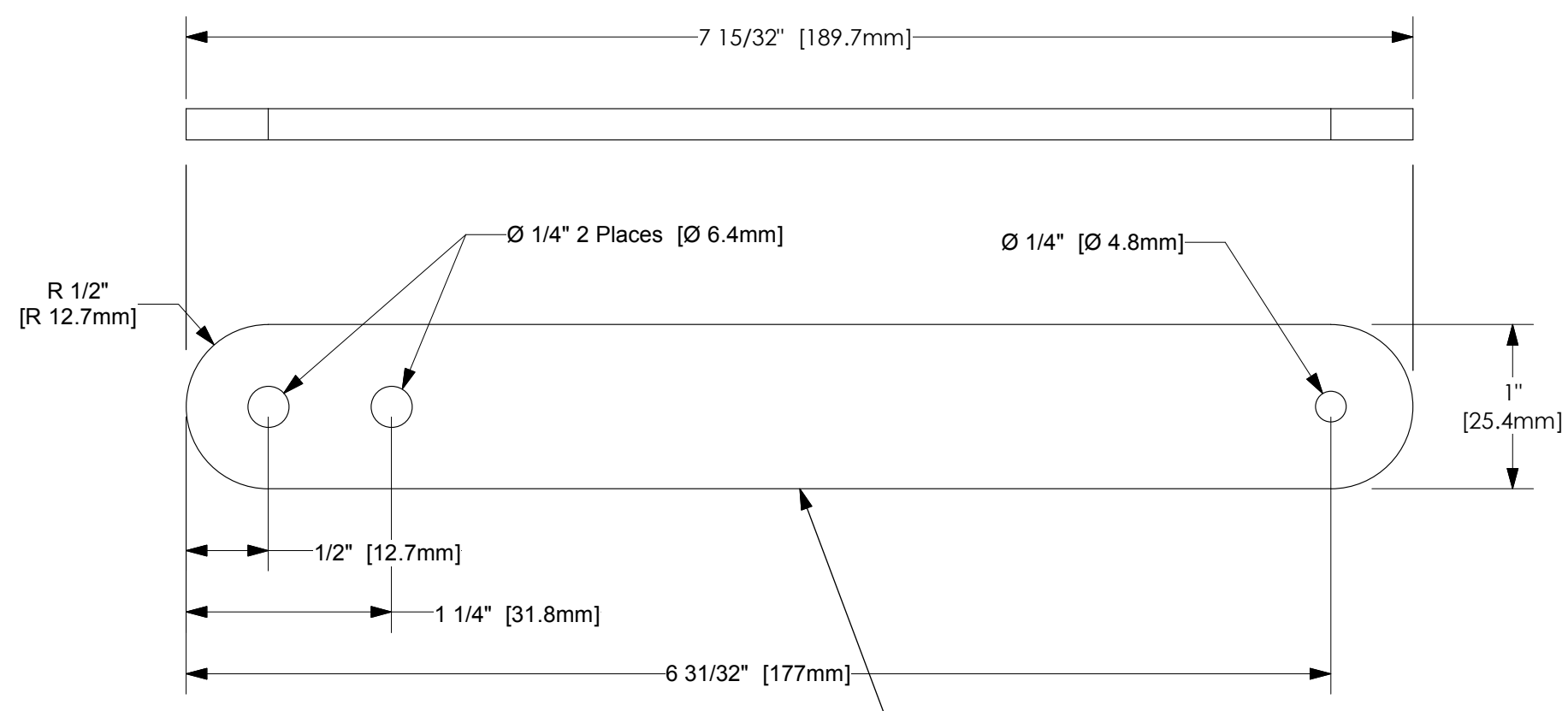
| Revision Letter | Change Description |
|-----------------|--------------------|
|-----------------|--------------------|



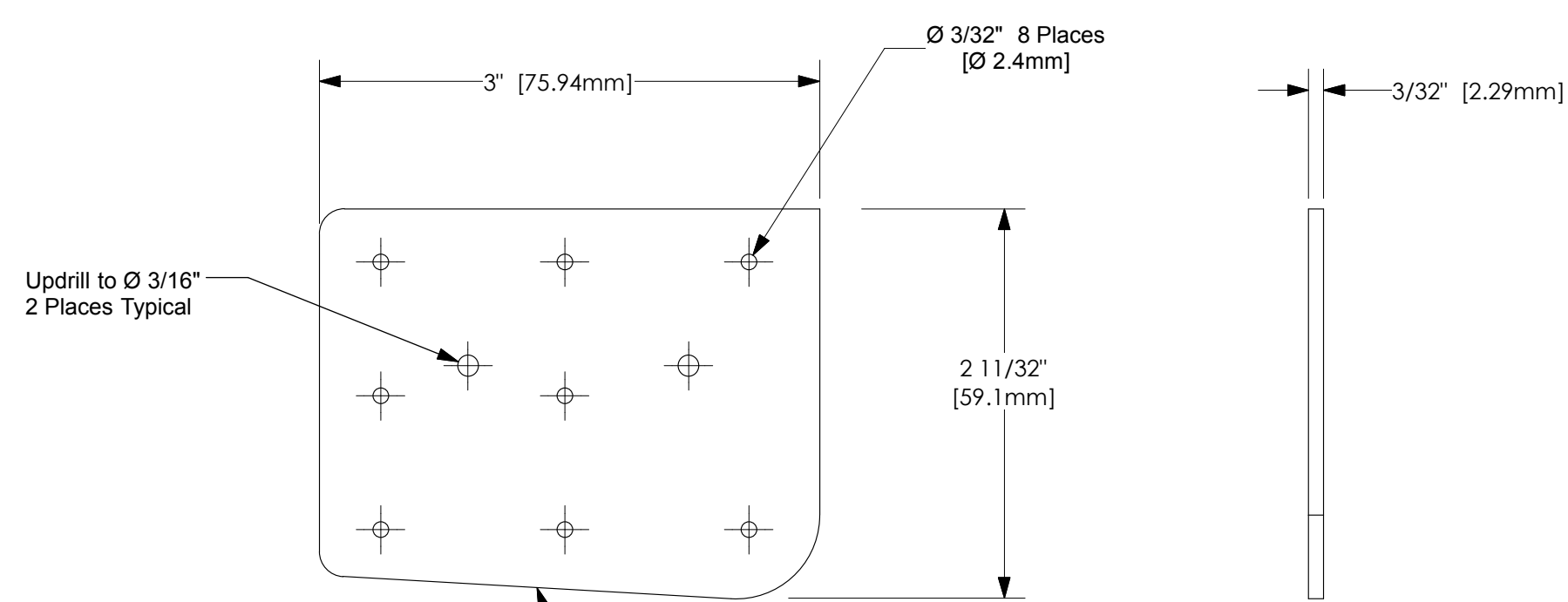
**-04 Brake Guide Bracket**  
 Make from 1" x 1" x .125" Aluminum 6061-T6 Angle  
 Scale: Full



**-02 Brake Handle Strap (Long)**  
 Make from .1875" Thick x 1" Wide 6061 T-6 Aluminum  
 Scale: Full



**-03 Brake Handle Strap (Short)**  
 Make from .1875" Thick x 1" Wide 6061 T-6 Aluminum  
 Scale Full



**JSX-L04-13 Brake Tunnel Mount Plate**  
 Scale: Full

|                    |           |                            |               |
|--------------------|-----------|----------------------------|---------------|
| JSX-L04-13         | 1         | Brake Tunnel Mount Plate   | JSX-L04       |
| -04                | 1         | Brake Guide Bracket        | JSX-L04       |
| -03                | 1         | Brake Handle Strap (short) | JSX-L04       |
| -02                | 1         | Brake Handle Strap (long)  | JSX-L04       |
| Dash / Part Number | Qty Req'd | Part Title                 | Next Assembly |

**Sub Sonex**  
 Brake Center Mount Part Details

|               |                |          |
|---------------|----------------|----------|
| Drawing Scale | Drawing Number | Revision |
| NONE          | JSX-L05        | N/C      |